



US00D939854S

(12) **United States Design Patent**  
**Smullen et al.**

(10) **Patent No.:** **US D939,854 S**

(45) **Date of Patent:** **\*\* Jan. 4, 2022**

- (54) **PORTABLE OFFICE IN-A-BOX**
- (71) Applicant: **South Winston LLC**, Delray Beach, FL (US)
- (72) Inventors: **Richard Adam Smullen**, Delray Beach, FL (US); **Jose Margulis**, Miami, FL (US); **Ilma Zubakhina**, Miami, FL (US)
- (73) Assignee: **WORKY LIFE LLC**, Miami, FL (US)
- (\*\*) Term: **15 Years**
- (21) Appl. No.: **29/754,141**
- (22) Filed: **Oct. 7, 2020**

D364,503 S \* 11/1995 Johnson ..... D3/273  
 D380,611 S \* 7/1997 Mancusi ..... D13/119  
 5,839,553 A \* 11/1998 Dorsam ..... A45C 3/02  
 190/109  
 D414,751 S \* 10/1999 Yogalingam ..... D14/335  
 5,977,876 A \* 11/1999 Coleman ..... A45C 13/10  
 340/539.1

(Continued)

*Primary Examiner* — Kelley A Donnelly

(74) *Attorney, Agent, or Firm* — Ashok Tankha

(57) **CLAIM**

The ornamental design for a portable office in-a-box, as shown and described.

**DESCRIPTION**

FIG. 1 illustrates a front left-side top perspective view of a portable office in-a-box;  
 FIG. 2 illustrates a rear left-side bottom perspective view thereof;  
 FIG. 3 illustrates a front view thereof;  
 FIG. 4 illustrates a rear view thereof;  
 FIG. 5 illustrates a left-side view thereof;  
 FIG. 6 illustrates a right-side view thereof;  
 FIG. 7 illustrates a top view thereof;  
 FIG. 8 illustrates a bottom view thereof;  
 FIG. 9 illustrates a front left-side top perspective view of the portable office in-a-box in an open position;  
 FIG. 10 illustrates another front left-side top perspective view of the portable office in-a-box in the open position;  
 FIG. 11 illustrates a rear left-side perspective view of the portable office in-a-box in the open position; and,  
 FIG. 12 illustrates a rear bottom right-side perspective view of the portable office in-a-box in the open position.  
 The broken line showing of portions of the portable office in-a-box in FIGS. 1-3 and FIGS. 7-11, and articles inside the portable office in-a-box shown in FIG. 9 are for the purpose of illustrating environmental structure and form no part of the claimed design.

**Related U.S. Application Data**

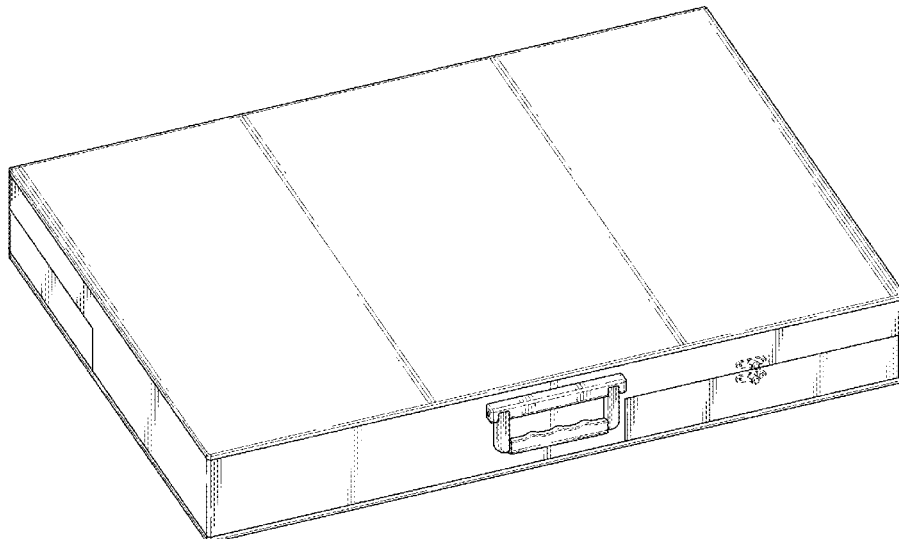
- (63) Continuation-in-part of application No. 17/000,361, filed on Aug. 23, 2020.
- (51) **LOC (13) Cl.** ..... **06-06**
- (52) **U.S. Cl.**  
USPC ..... **D6/406.3**
- (58) **Field of Classification Search**  
USPC ..... D6/406.3, 406.5, 406.6, 419, 339, 511;  
D19/92; D3/242, 273-274, 276, 284,  
D3/290, 900  
CPC ..... A47B 17/00; A47B 17/02; A47B 23/00;  
A47B 23/002; A47B 23/04; A45C 3/02;  
A45C 5/03; A45C 5/032  
See application file for complete search history.

(56) **References Cited**

**U.S. PATENT DOCUMENTS**

- D202,250 S \* 9/1965 Hauser ..... D3/274
- D237,021 S \* 9/1975 Chilewich ..... D3/292
- D250,973 S \* 1/1979 Ramsey ..... D3/274
- D296,497 S \* 7/1988 Kime ..... D3/282
- D303,186 S \* 9/1989 Mills ..... D6/406.3
- D344,074 S \* 2/1994 Collins ..... D3/274

**1 Claim, 12 Drawing Sheets**



(56)

**References Cited**

U.S. PATENT DOCUMENTS

D418,327	S *	1/2000	Sullins .....	D6/406.3
D432,303	S *	10/2000	Wheat .....	D3/276
D613,060	S *	4/2010	Sao .....	D3/288
D627,166	S *	11/2010	Fahim .....	D3/287
8,851,439	B2 *	10/2014	Phifer .....	A47B 23/044
				248/460
D745,788	S *	12/2015	Schreiter .....	D6/406.3
D883,665	S *	5/2020	Agerbaek .....	D3/274

\* cited by examiner

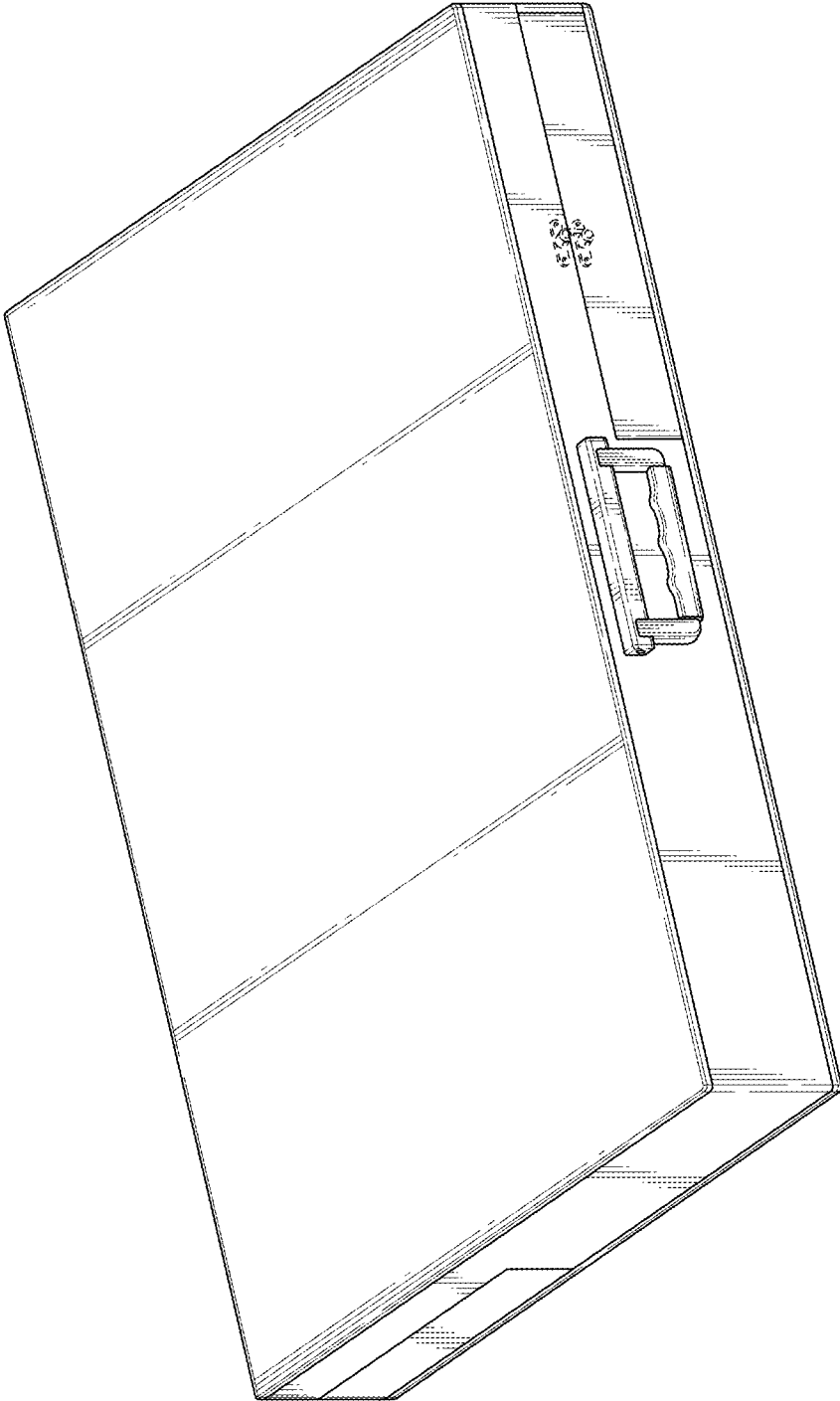


FIG. 1

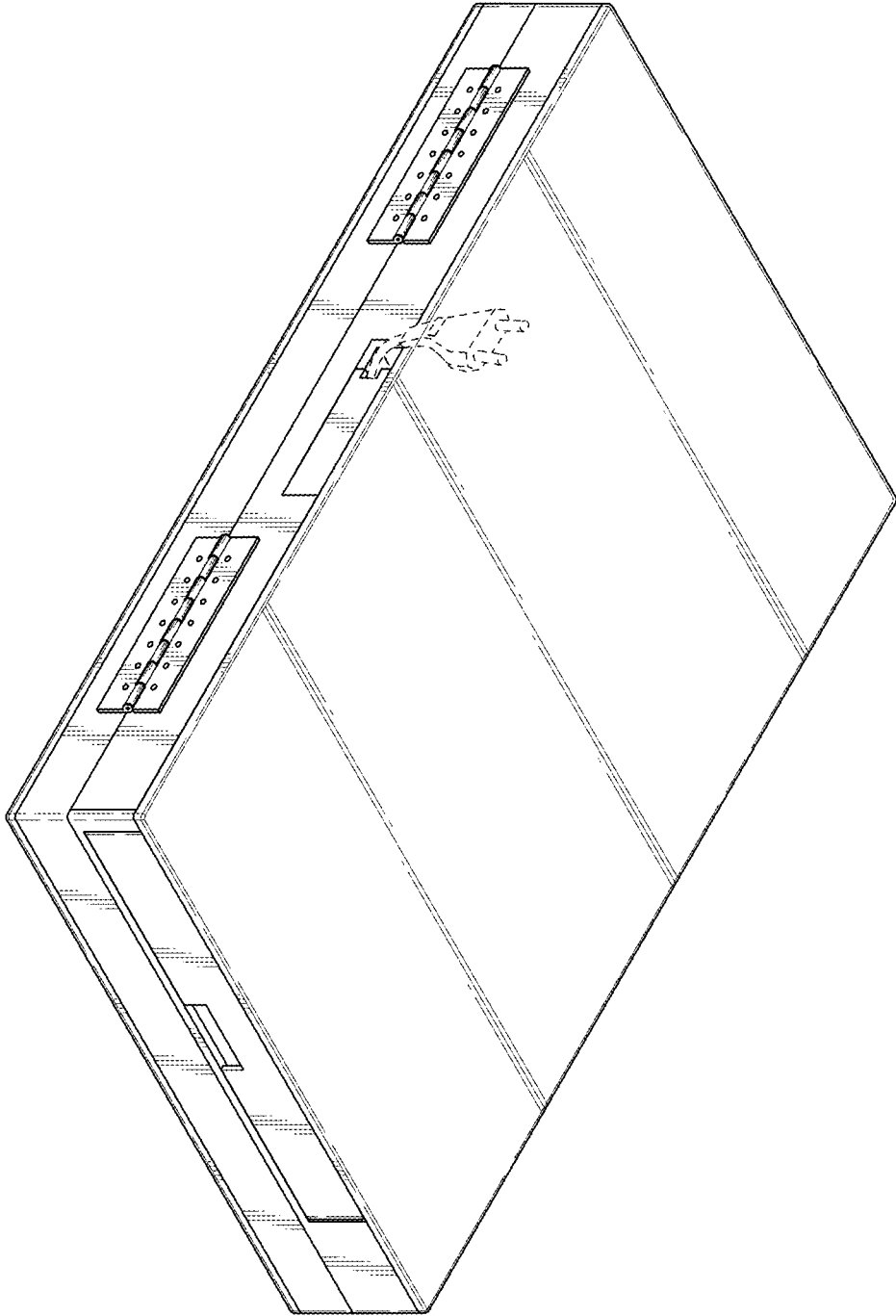


FIG. 2

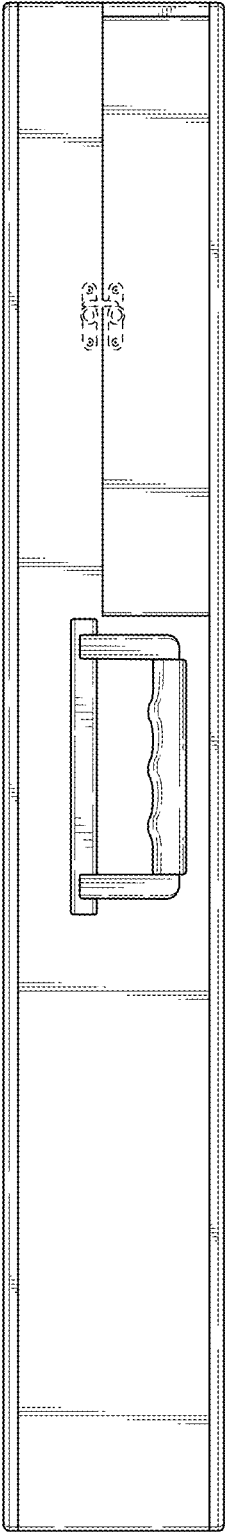


FIG. 3

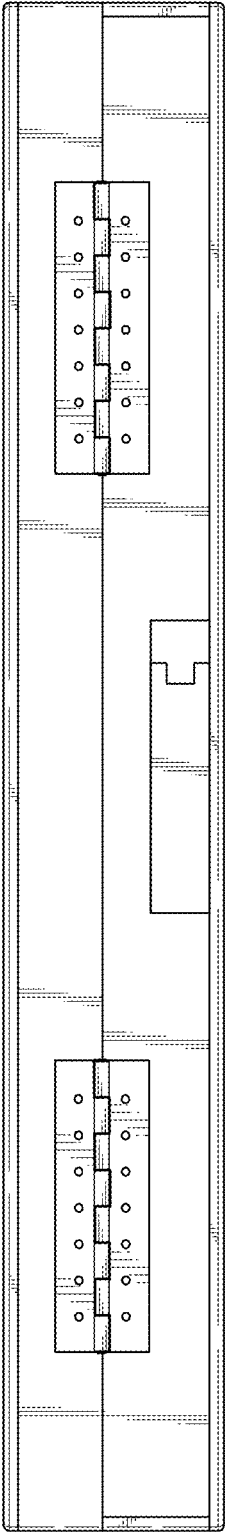


FIG. 4

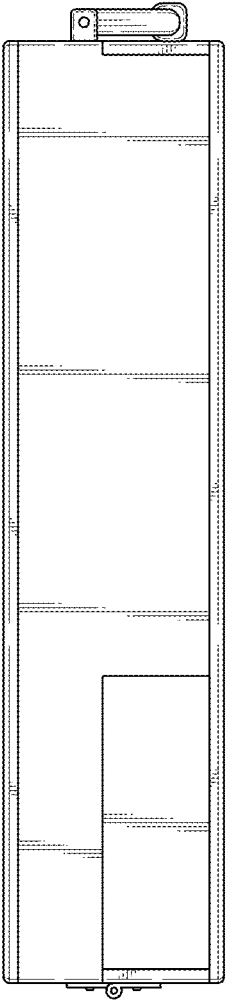


FIG. 5

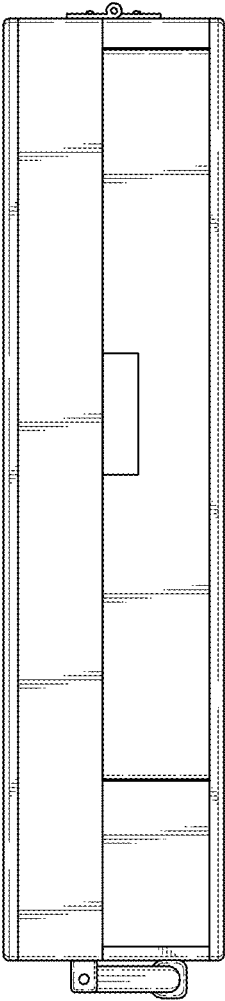


FIG. 6



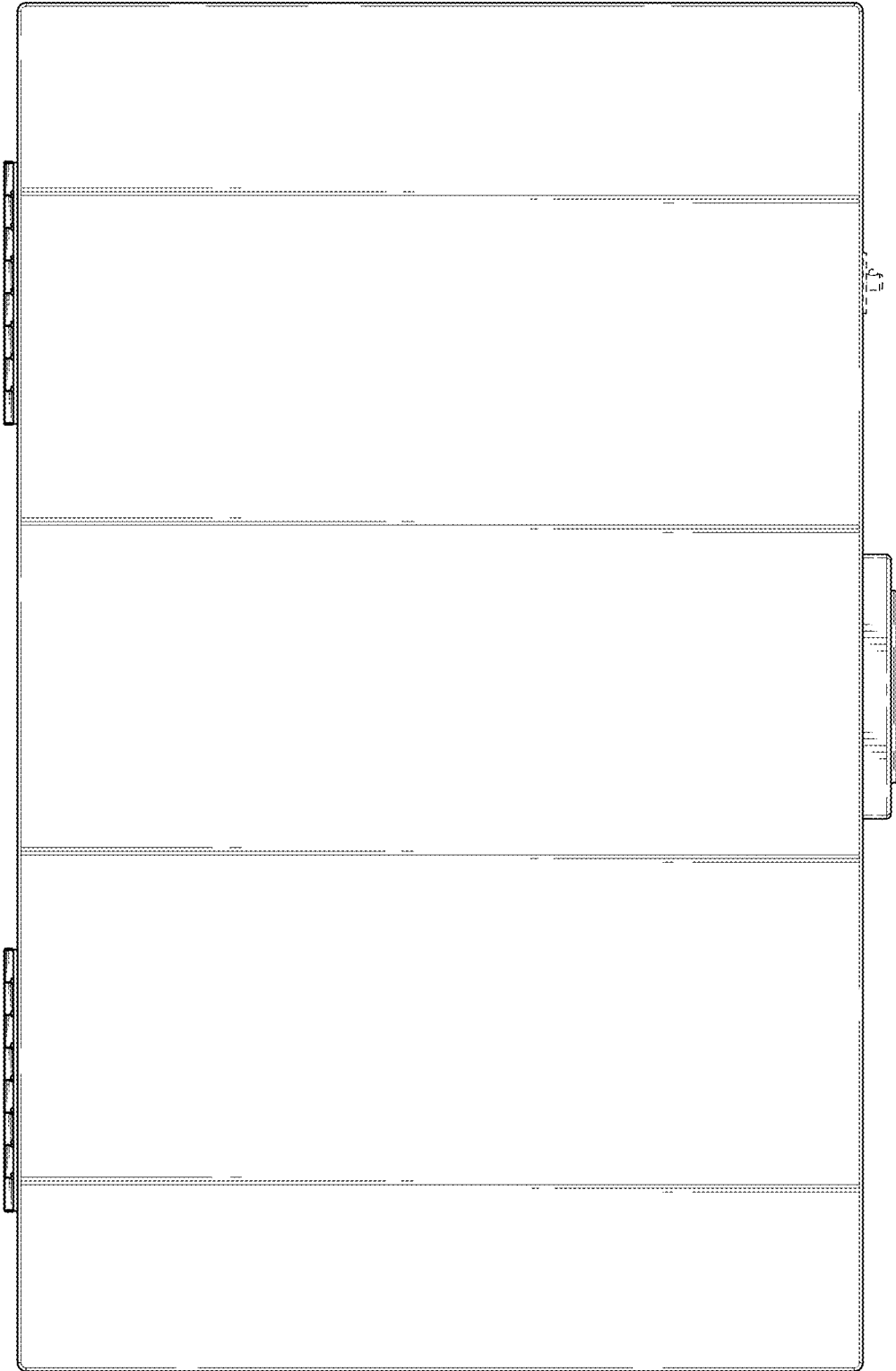


FIG. 7

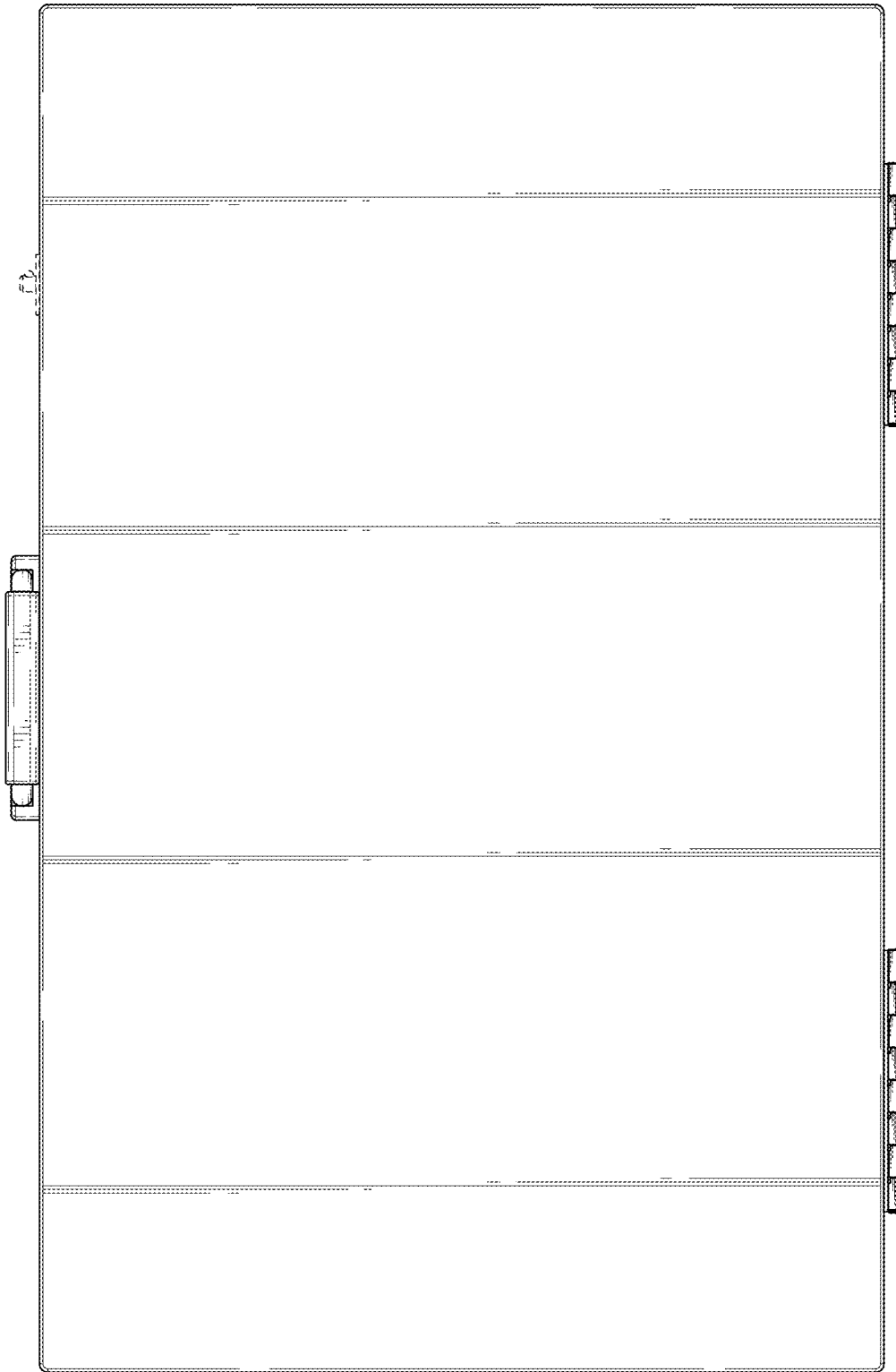


FIG. 8

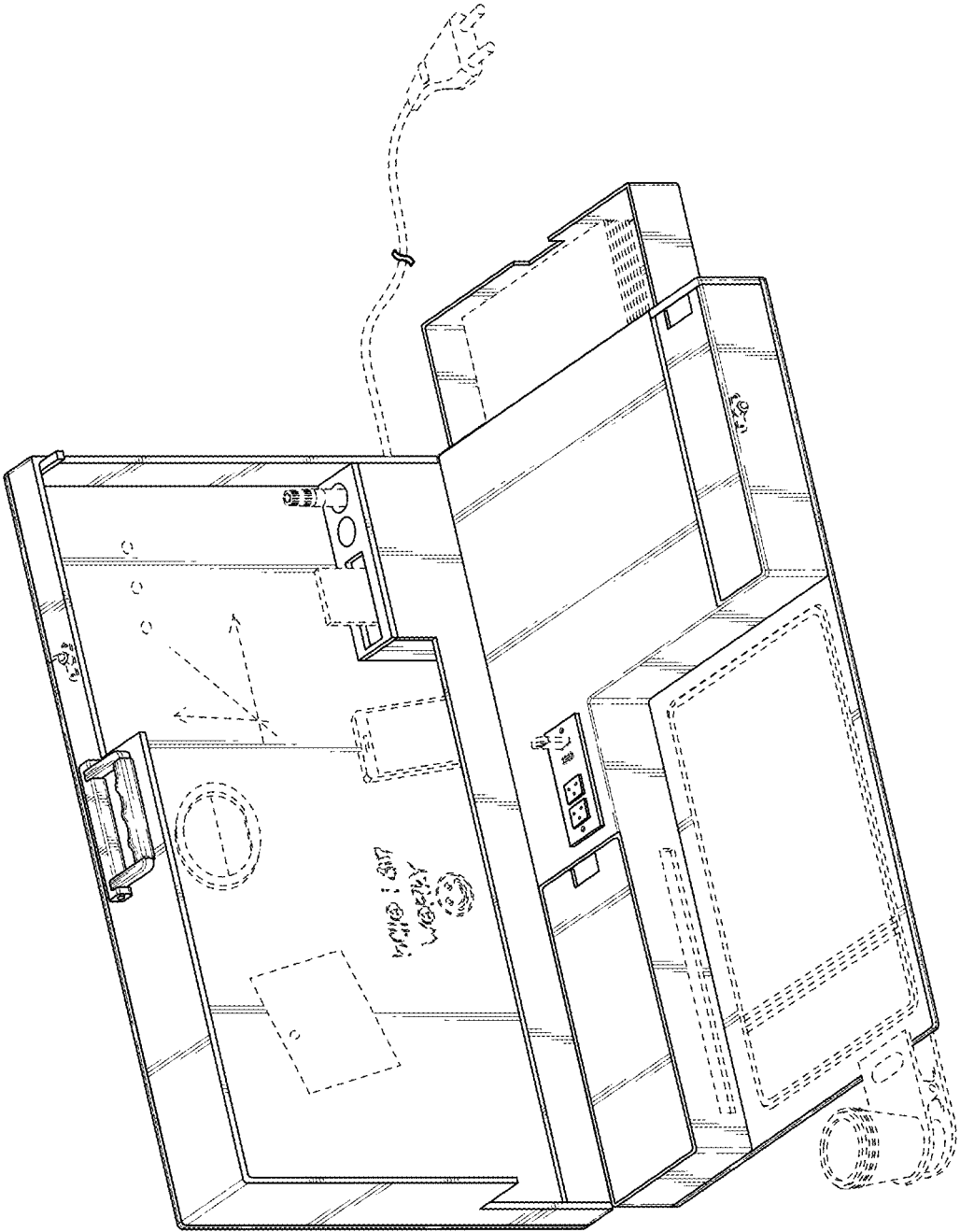


FIG. 9

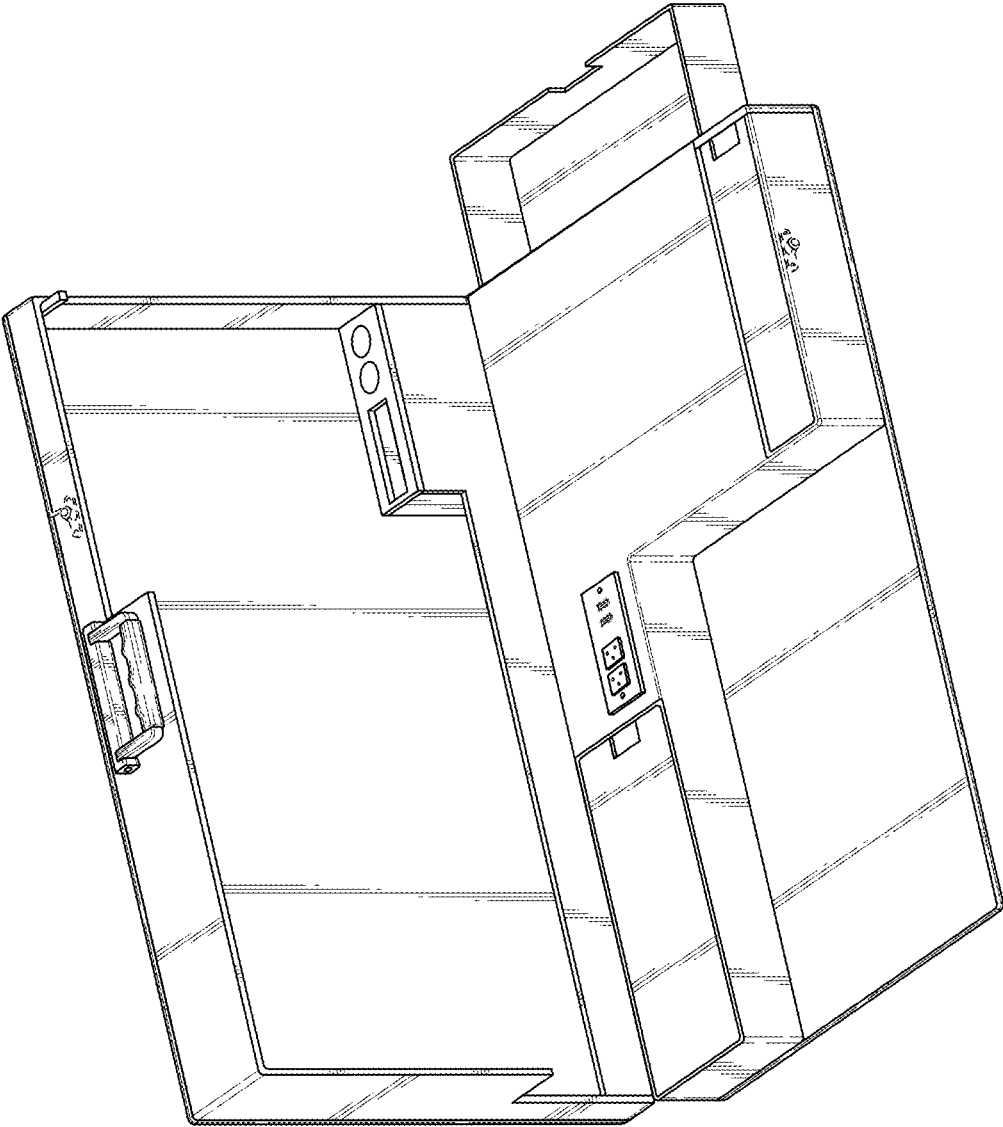


FIG. 10

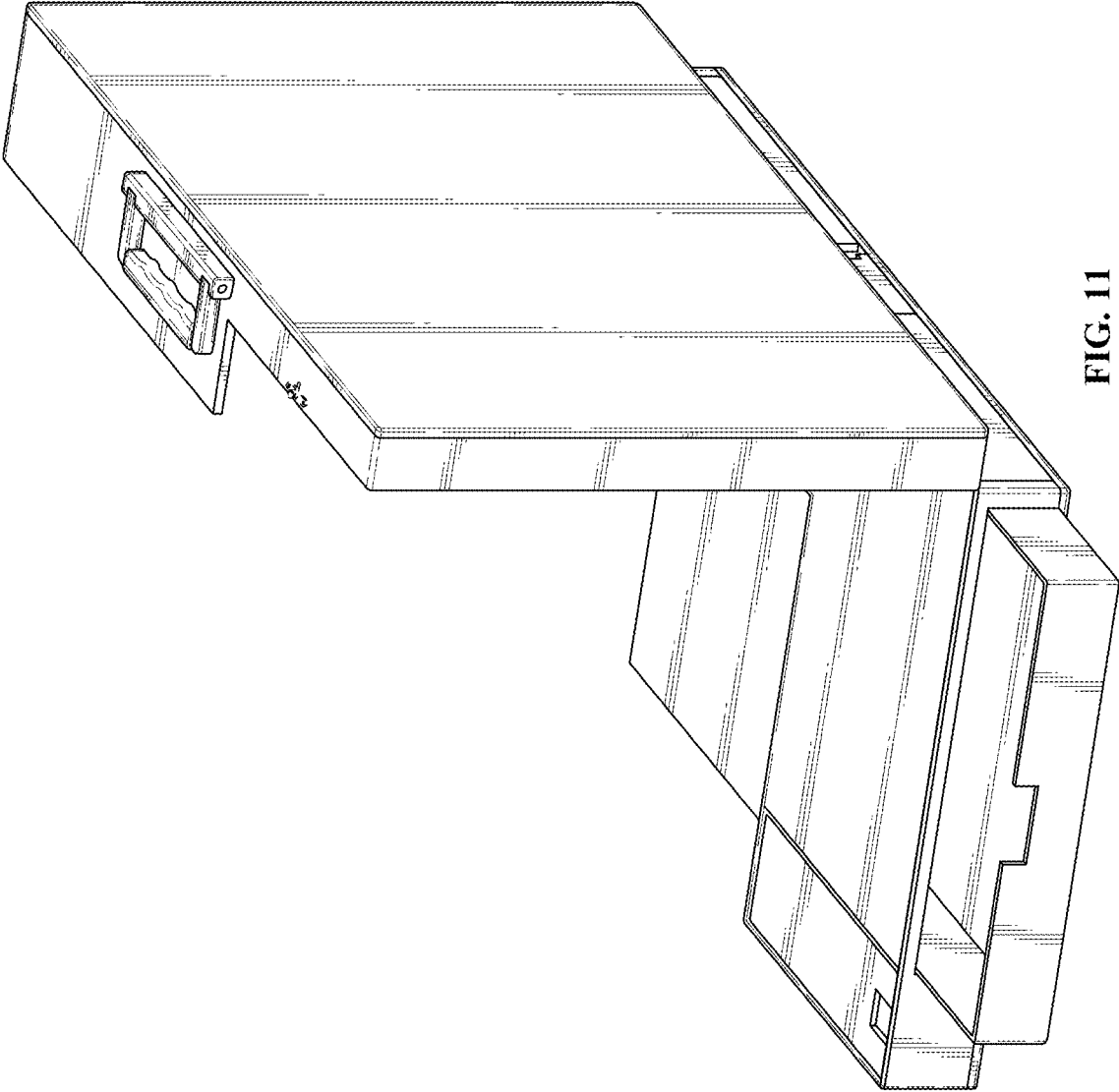


FIG. 11

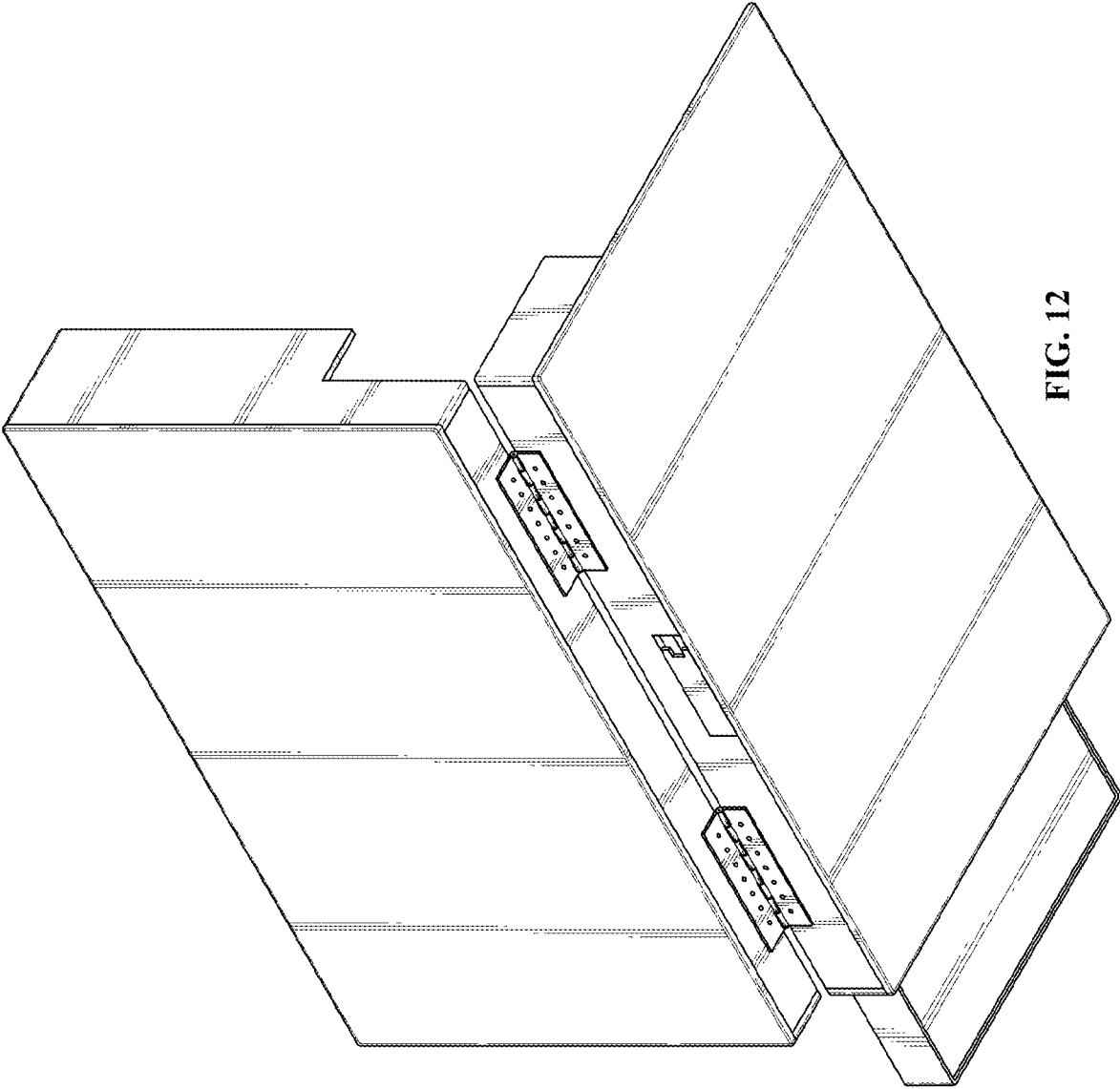


FIG. 12