



(12) **United States Design Patent**  
**Forell**

(10) **Patent No.:** **US D922,688 S**  
(45) **Date of Patent:** **\*\* Jun. 15, 2021**

- (54) **WEIGHTLIFTING SUPPORT SHIRT**
- (71) Applicant: **Robert Allen Forell**, Lucinda, PA (US)
- (72) Inventor: **Robert Allen Forell**, Lucinda, PA (US)
- (\*\*) Term: **15 Years**
- (21) Appl. No.: **29/728,660**
- (22) Filed: **Mar. 20, 2020**

- 3,548,818 A \* 12/1970 Kaplan ..... A61F 13/146  
602/19
- 3,718,137 A \* 2/1973 Gaylord, Jr. .... A61F 5/05808  
602/19
- 3,897,776 A \* 8/1975 Gaylord, Jr. .... A61F 5/05808  
602/19

(Continued)

**OTHER PUBLICATIONS**

Sling Shot Original Power Lifting Band by Mark Bell (on-line), reviewed May 8, 2018. Retrieved from Internet Sep. 22, 2020, URL: <https://www.walmart.com/lp/Sling-Shot-Original-Power-Lifting-Band-by-Mark-Bell-Red/733780113> (5 pages) (Year: 2018).\*

*Primary Examiner* — Kimberly Barnes  
(74) *Attorney, Agent, or Firm* — Ashok Tankha; Lipton Weinberger & Husick

**Related U.S. Application Data**

- (63) Continuation-in-part of application No. 16/801,170, filed on Feb. 26, 2020.
- (51) **LOC (13) Cl.** ..... **29-02**
- (52) **U.S. Cl.**  
USPC ..... **D29/101.3**
- (58) **Field of Classification Search**  
USPC ..... D29/100, 101.1, 101.2, 101.3; D24/190; D3/327, 328; D21/692  
CPC .... A45F 3/047; A45F 3/14; A61F 5/37; A61F 5/02; A61F 5/3723; A41D 13/00; A41D 13/0007; A41D 13/0015; A41D 13/0512; A41D 31/18; A63B 21/00178; A63B 21/00185; A63B 21/0552; A63B 21/0555; A63B 21/4005; A63B 21/4007; A63B 21/4017; A63B 21/4025  
See application file for complete search history.

**CLAIM**

(57) The ornamental design for a weightlifting support shirt, as shown and described.

**DESCRIPTION**

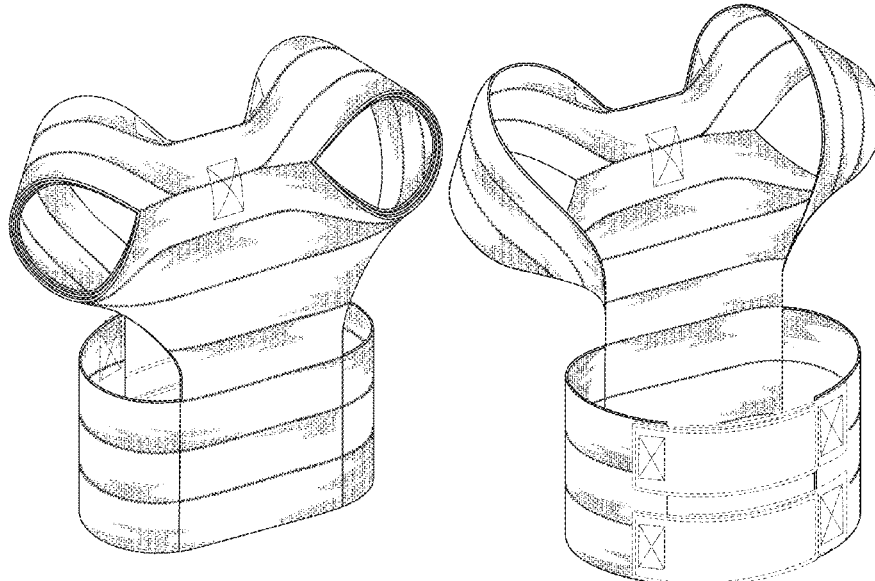
FIG. 1 is a front left side perspective view of a weightlifting support shirt showing my new design in a fastened state; FIG. 2 is a rear right side perspective view thereof; FIG. 3 is a front view thereof in an unfastened state; FIG. 4 is a rear view thereof in an unfastened state; FIG. 5 is a front view thereof in a fastened state; FIG. 6 is a rear view thereof; FIG. 7 is a left side view thereof, the right side view being a mirror image of the left side view; FIG. 8 is a top view thereof; and, FIG. 9 is a bottom view thereof. In FIGS. 1-9, the dash-dot broken lines on the surface of the weightlifting support shirt represent stitching that forms a part of the claimed design. The entirety of the fastening straps shown in evenly broken lines represent portions of the weightlifting support shirt that do not form part of the claimed design.

**References Cited**

**U.S. PATENT DOCUMENTS**

- 3,116,735 A \* 1/1964 Geimer ..... A61F 5/026  
450/2
- 3,141,456 A \* 7/1964 Meek ..... A61F 5/05808  
602/19
- 3,338,236 A \* 8/1967 McLeod, Jr. .... A61F 5/05808  
602/19

**1 Claim, 9 Drawing Sheets**



(56)

**References Cited**

## U.S. PATENT DOCUMENTS

4,273,328 A \* 6/1981 Ozbey ..... A63B 21/00185  
2/115  
4,890,841 A \* 1/1990 Brooks ..... A63B 69/0059  
473/212  
6,991,611 B2 \* 1/2006 Rhee ..... A61F 5/026  
128/869  
8,771,155 B1 \* 7/2014 Bell ..... A63B 21/4017  
482/124  
9,615,956 B2 \* 4/2017 Sears ..... A61F 5/026  
D818,132 S \* 5/2018 Hille ..... D24/190  
D851,263 S \* 6/2019 Thompson ..... D24/190  
10,363,452 B2 \* 7/2019 Alaniz, III ..... A41D 13/0015  
D858,780 S \* 9/2019 Sikandar ..... D24/190  
10,405,589 B1 \* 9/2019 Womack ..... A63B 21/4025  
10,709,178 B2 \* 7/2020 Alaniz, III ..... A41B 1/00  
D908,969 S \* 1/2021 Forell ..... D29/101.3  
2012/0078149 A1 \* 3/2012 Azimzadeh ..... A61F 5/024  
602/19  
2012/0295777 A1 \* 11/2012 Zaki ..... A63B 23/035  
482/122  
2018/0256937 A1 \* 9/2018 McCracken ..... A63B 21/4017

\* cited by examiner

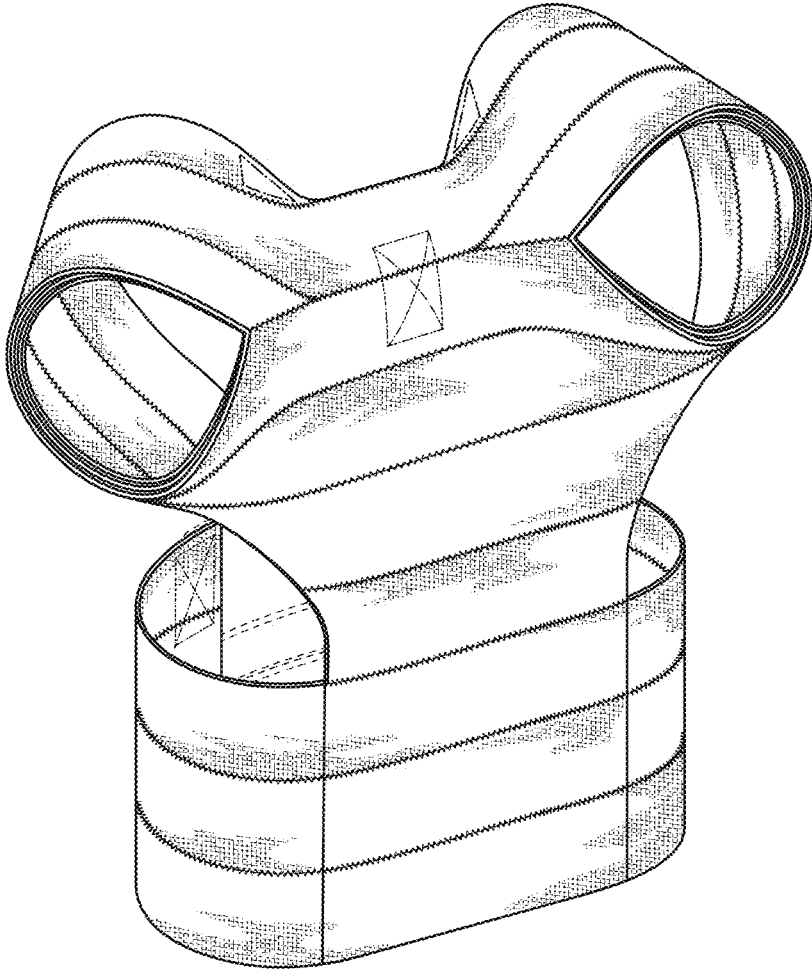


FIG. 1

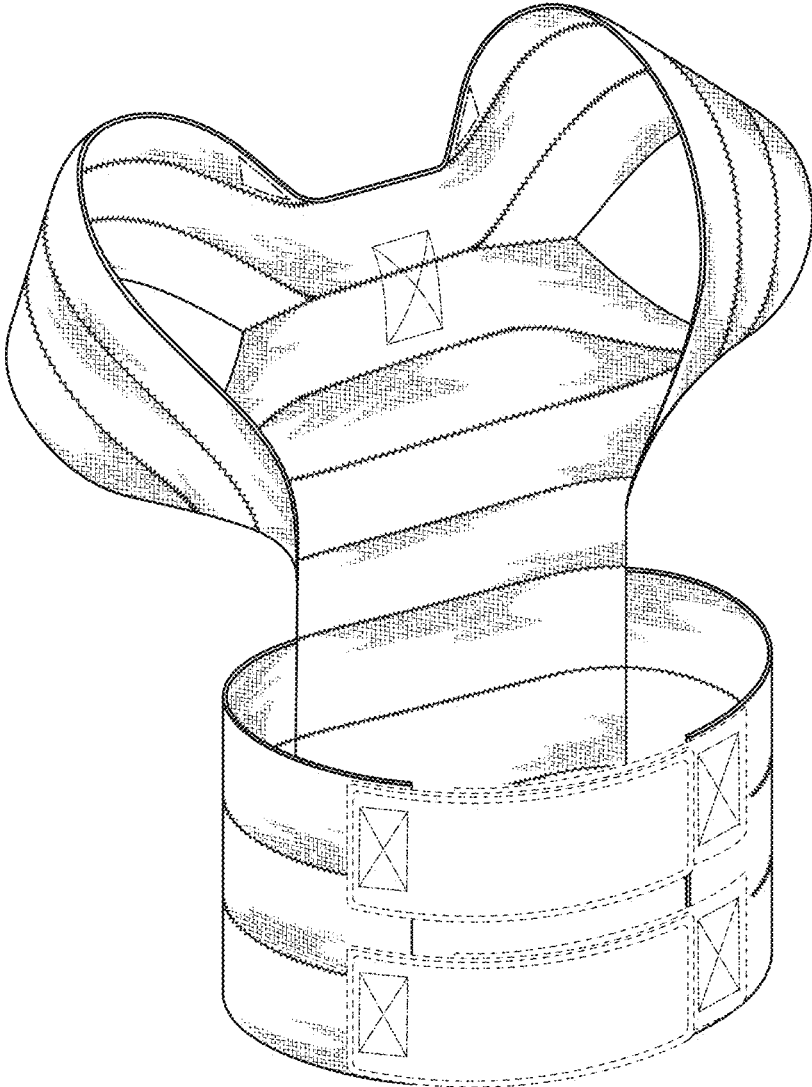


FIG. 2

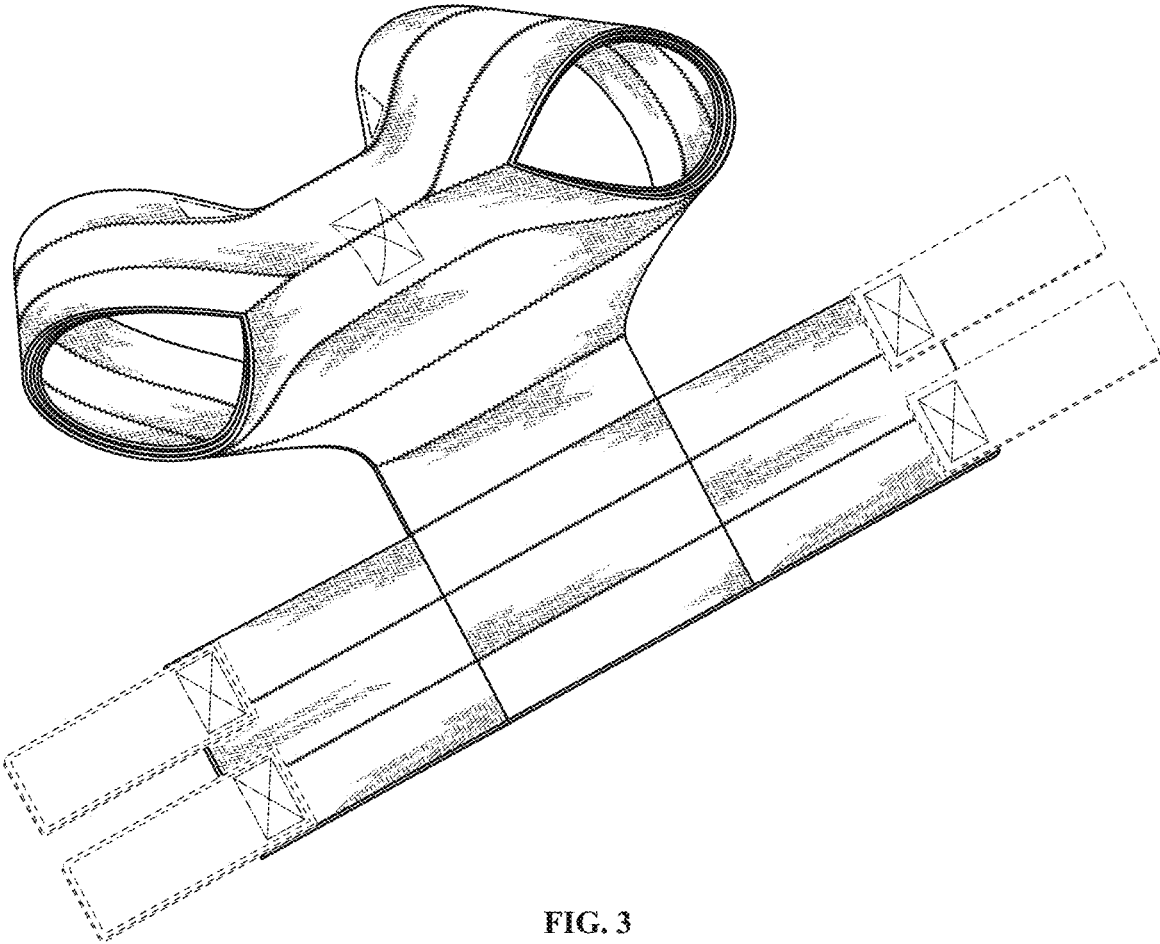


FIG. 3

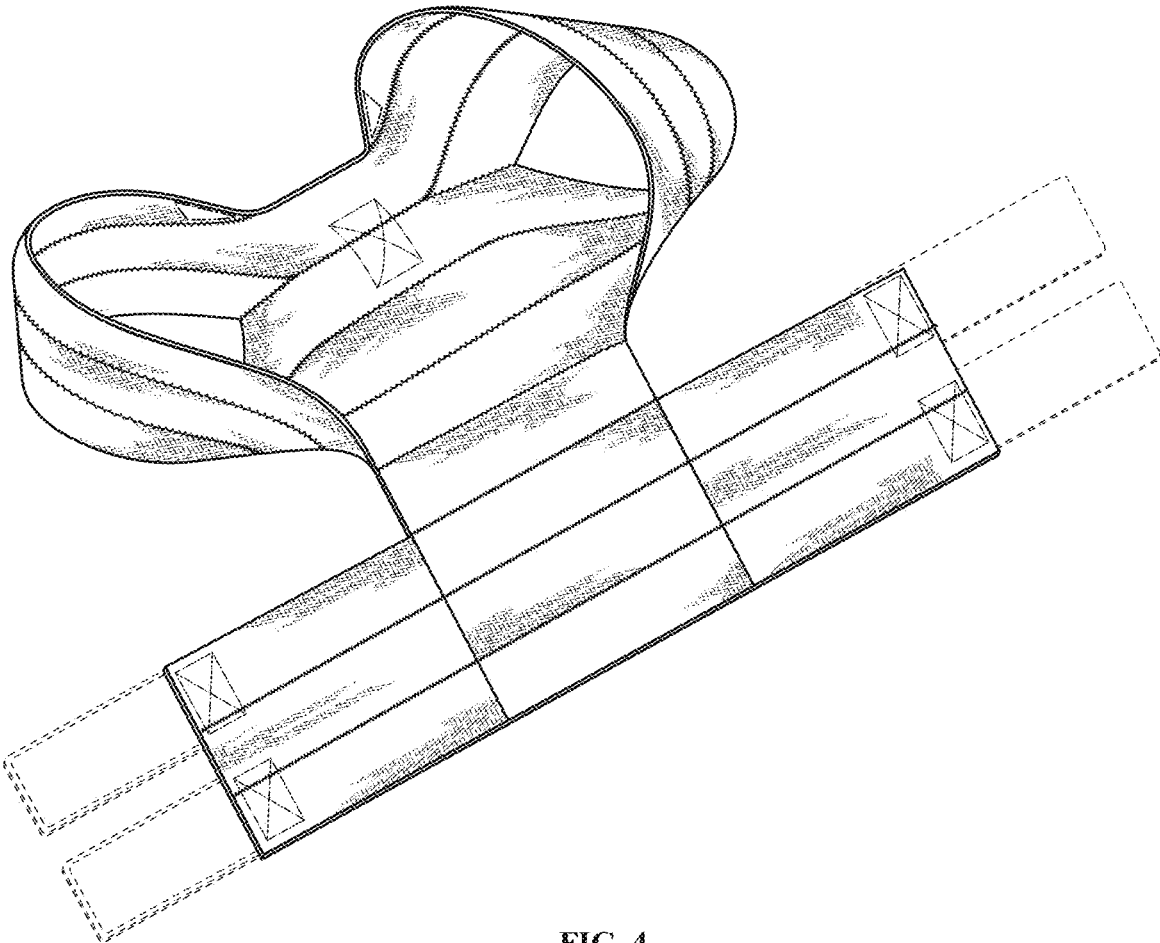


FIG. 4

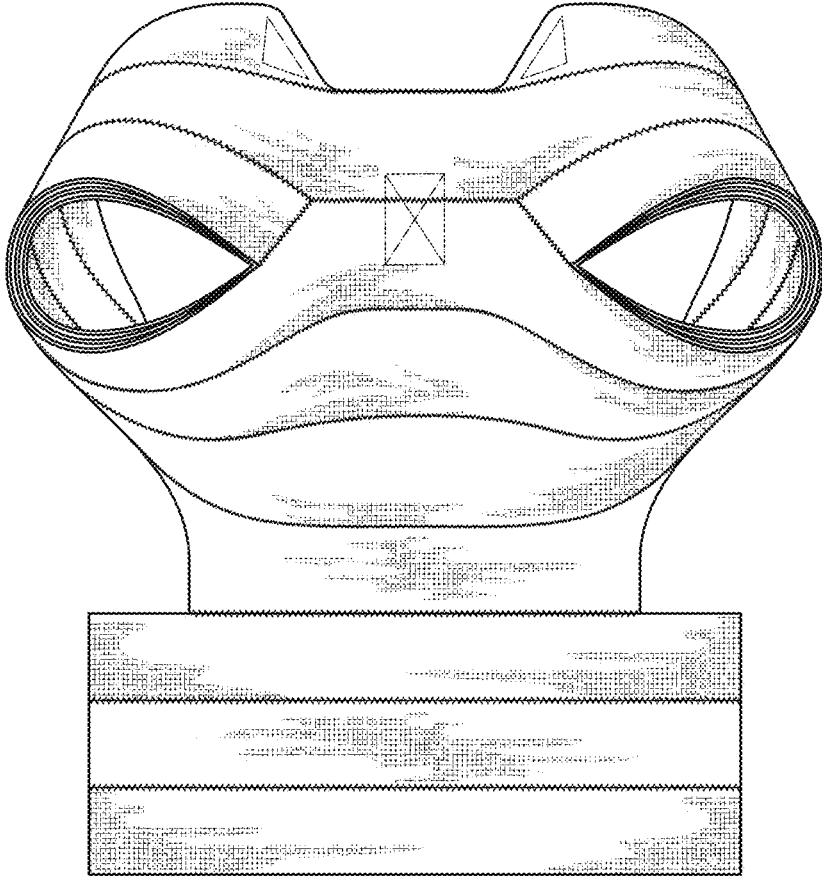


FIG. 5

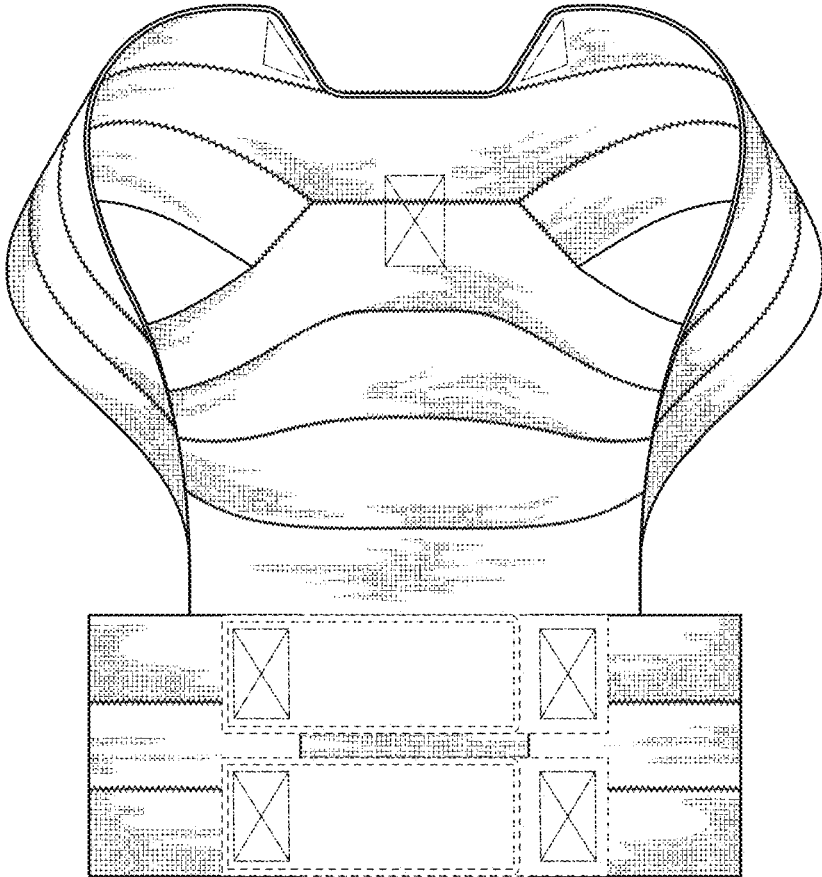


FIG. 6



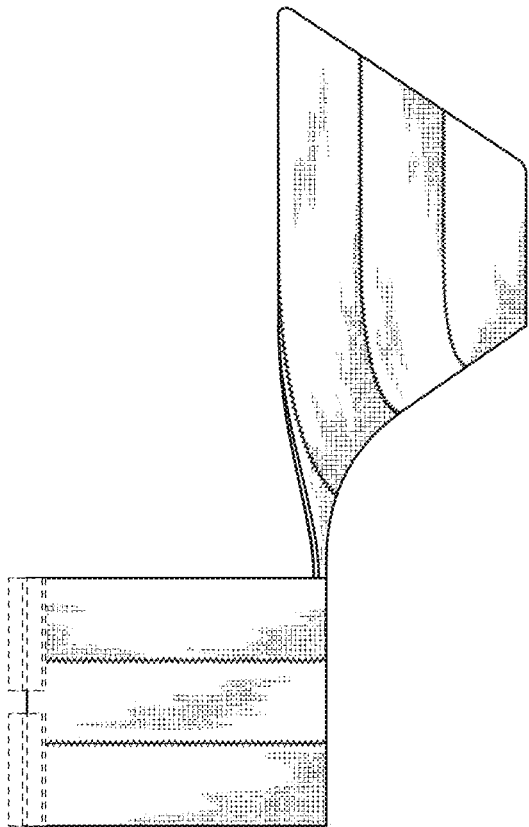


FIG. 7

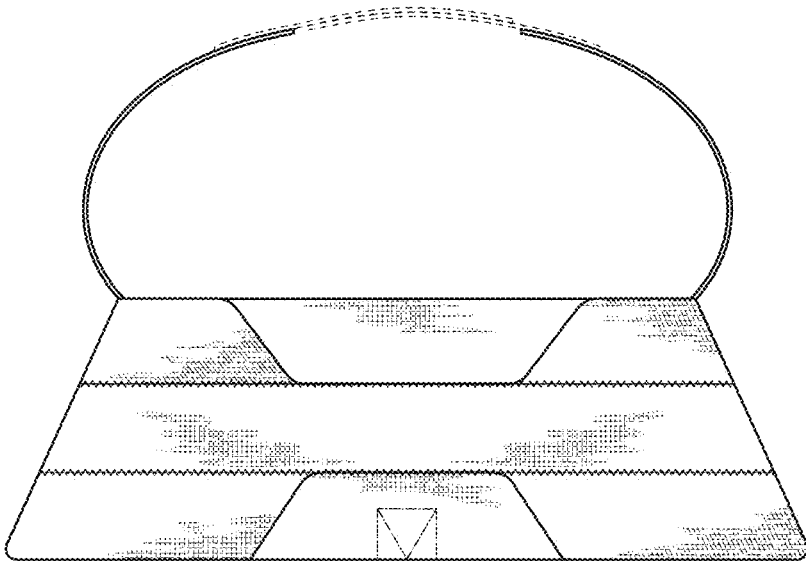


FIG. 8

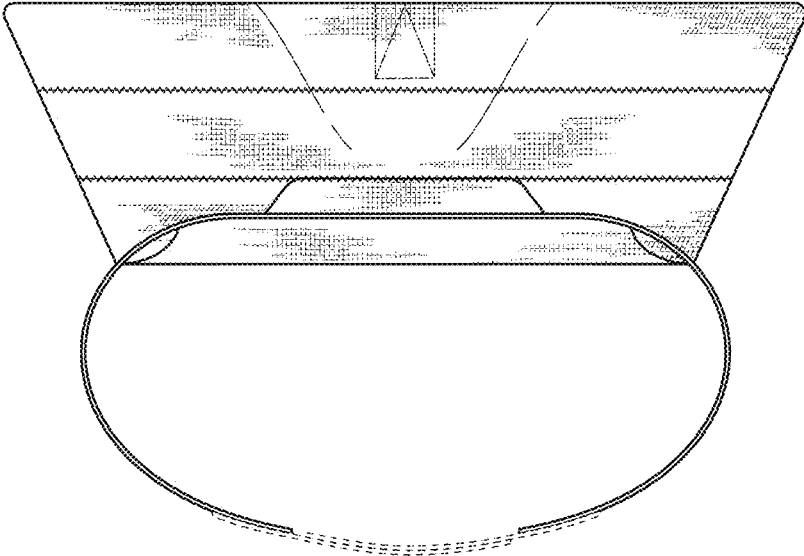


FIG. 9