



US00D895124S

(12) **United States Design Patent**
Wielunski et al.

(10) **Patent No.:** **US D895,124 S**

(45) **Date of Patent:** **** Sep. 1, 2020**

(54) **BIOMETRIC WEARABLE HEALTH AND PERFORMANCE DEVICE FOR ANIMALS**

(71) Applicants: **Alan Wielunski**, Tel Aviv (IL); **Marton Miklos**, Budapest (HU); **Orsolya Korbacska-Kutasi**, Benye (HU)

(72) Inventors: **Alan Wielunski**, Tel Aviv (IL); **Marton Miklos**, Budapest (HU); **Orsolya Korbacska-Kutasi**, Benye (HU)

(**) Term: **15 Years**

(21) Appl. No.: **29/680,044**

(22) Filed: **Feb. 19, 2019**

(51) **LOC (12) Cl.** **24-01**

(52) **U.S. Cl.**

USPC **D24/186**

(58) **Field of Classification Search**

USPC D24/107, 167-169, 186, 187, 321; D10/70, 98; D14/344

CPC A61B 5/0402; A61B 5/0404; A61B 5/021; A61B 5/024; A61B 5/02405; A61B 5/02438; A61B 5/681; A61B 2560/0247; A61B 2560/0462; A61B 2503/40; A01K 29/001; A01K 29/005

See application file for complete search history.

(56) **References Cited**

U.S. PATENT DOCUMENTS

| | | | | |
|--------------|--------|------------|-------|---------|
| D634,435 S * | 3/2011 | Chua | | D24/186 |
| D725,850 S * | 3/2015 | Eidelman | | D24/167 |
| D726,567 S * | 4/2015 | De Jong | | D10/70 |
| D732,672 S * | 6/2015 | Lewis, Jr. | | D24/187 |
| D752,457 S * | 3/2016 | So | | D10/70 |
| D810,948 S * | 2/2018 | Wielunski | | D24/186 |

| | | | | |
|-------------------|--------|--------|-------|--------------------------|
| D812,499 S * | 3/2018 | Kuh | | D10/70 |
| 2014/0196673 A1 * | 7/2014 | Menkes | | A61B 5/0002 119/859 |
| 2014/0257066 A1 * | 9/2014 | Suess | | A61B 5/150305 600/365 |
| 2019/0053470 A1 * | 2/2019 | Singh | | A01K 29/005 |

* cited by examiner

Primary Examiner — Anhdao Doan

(74) *Attorney, Agent, or Firm* — Ashok Tankha

(57) **CLAIM**

The ornamental design for a biometric wearable health and performance device for animals, as shown and described.

DESCRIPTION

FIG. 1 is a bottom front perspective view of a biometric wearable health and performance device for animal, showing an attachment element and a utility compartment flap in an open position;

FIG. 2 is a top rear perspective view thereof;

FIG. 3 is a right side elevation view thereof;

FIG. 4 is a front elevation view thereof;

FIG. 5 is a left side elevation view thereof;

FIG. 6 is a rear elevation view thereof;

FIG. 7 is a bottom view thereof;

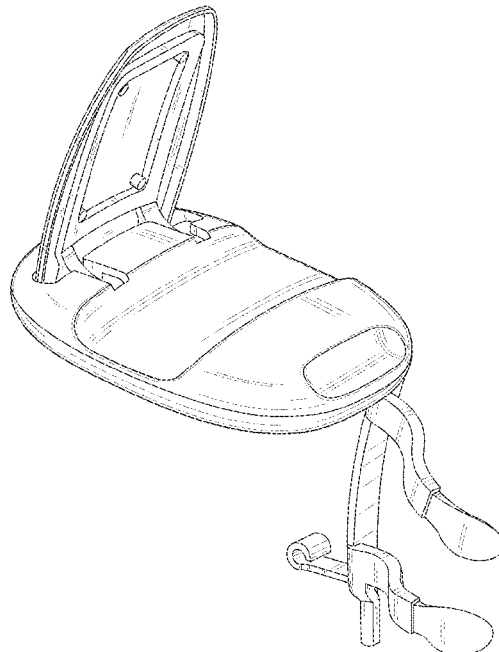
FIG. 8 is a top plan view thereof;

FIG. 9 is a right side elevation view thereof, showing the attachment element and the utility compartment flap in closed positions; and,

FIG. 10 is a top rear perspective view thereof, showing the attachment element attached to the hair of an animal with the utility compartment flap in a closed position.

The broken lines depicting a portion of an animal in FIG. 10 represent an environment; the broken lines form no part of the claimed design.

1 Claim, 10 Drawing Sheets



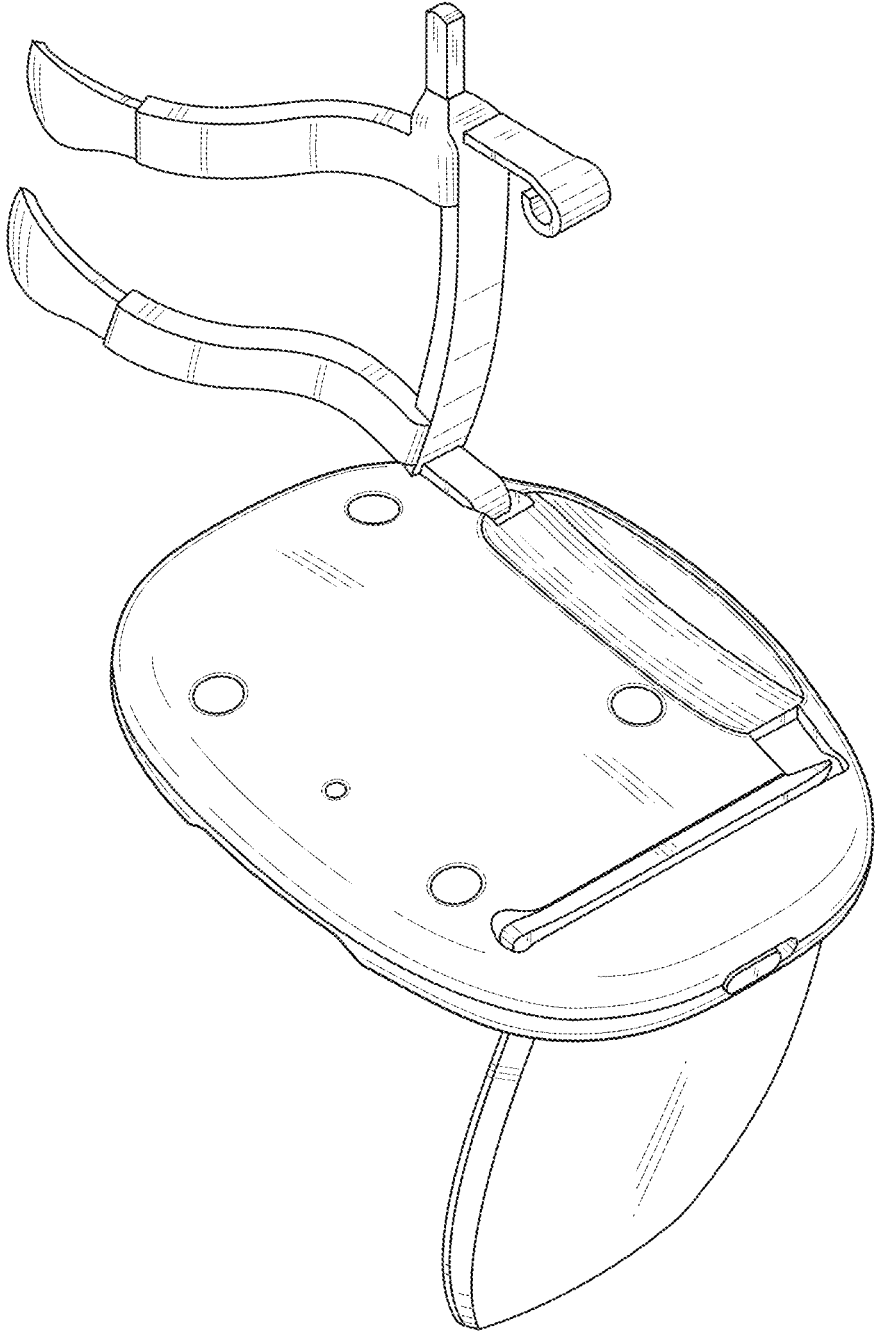


FIG. 1

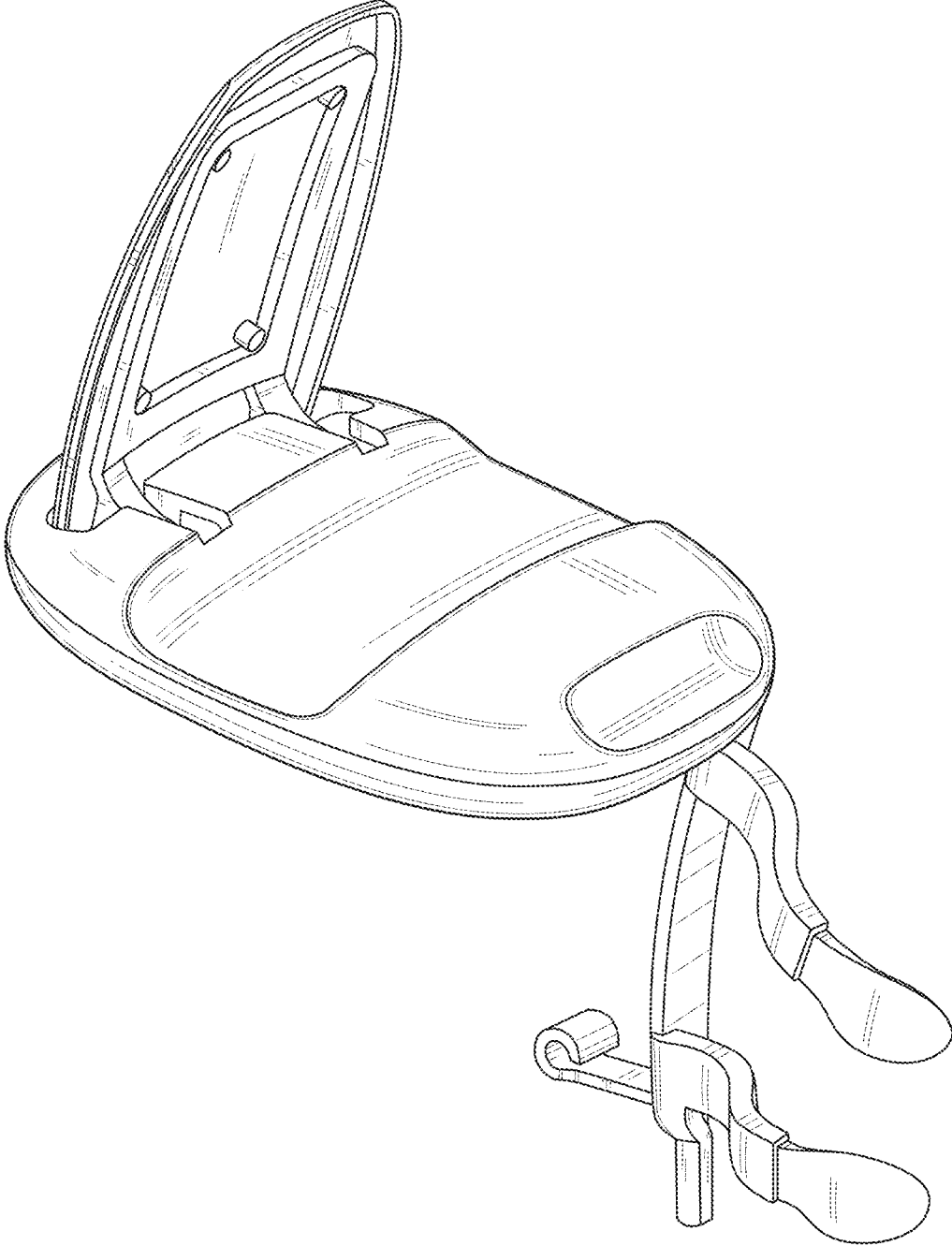


FIG. 2

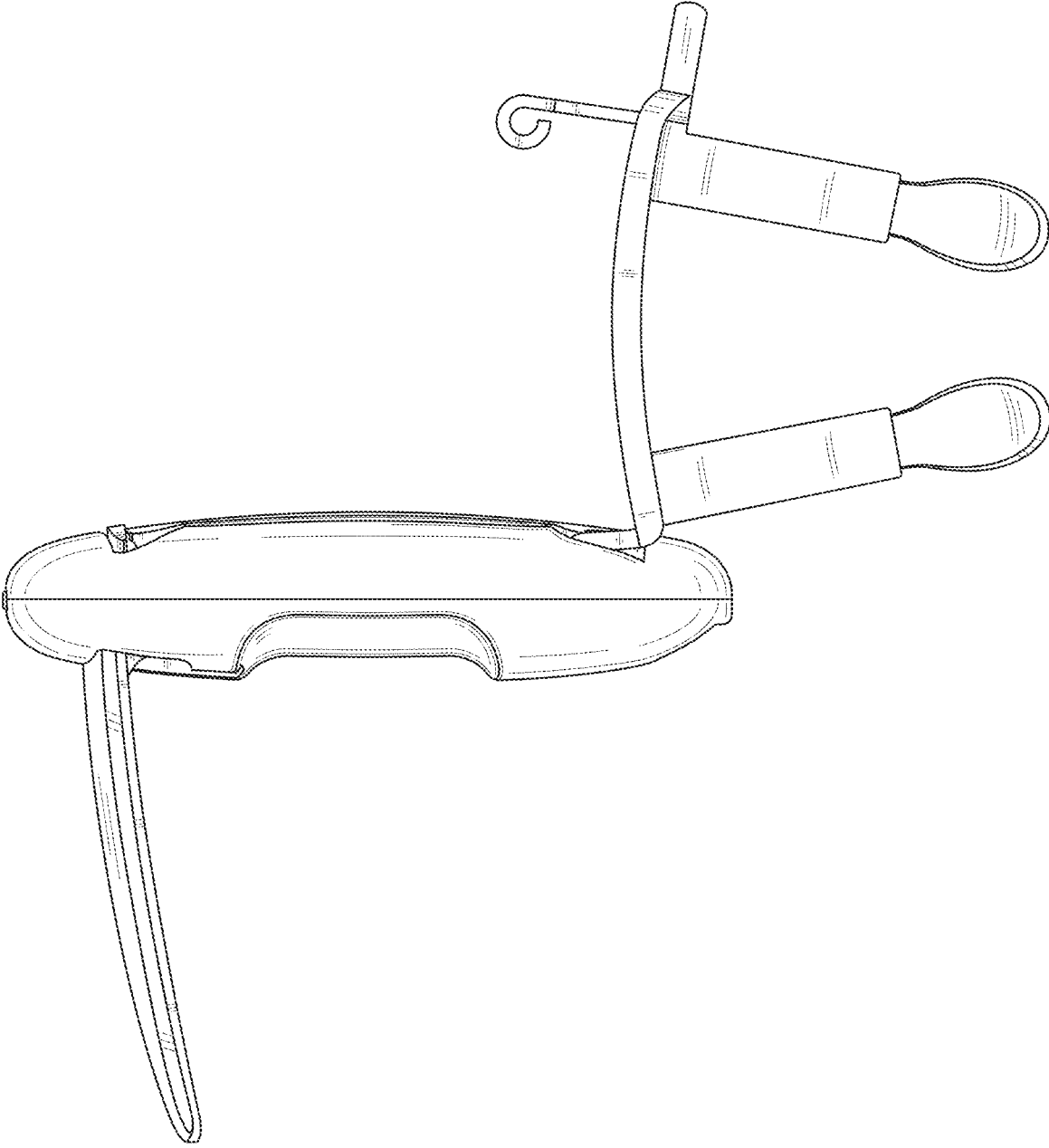


FIG. 3

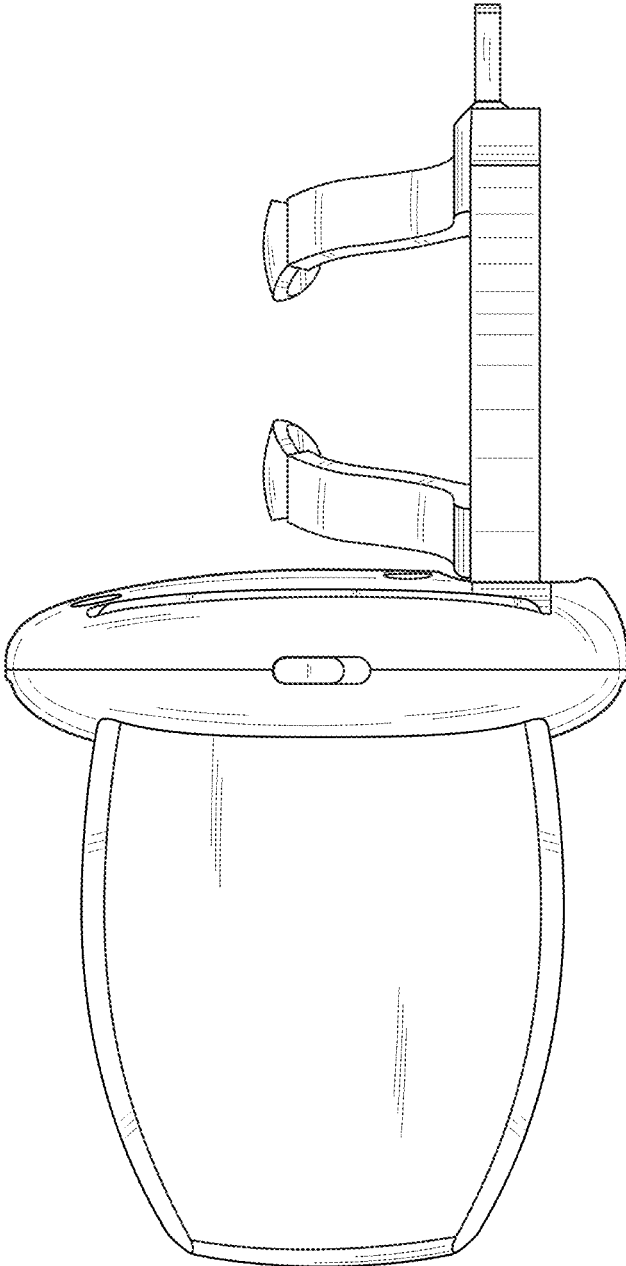


FIG. 4

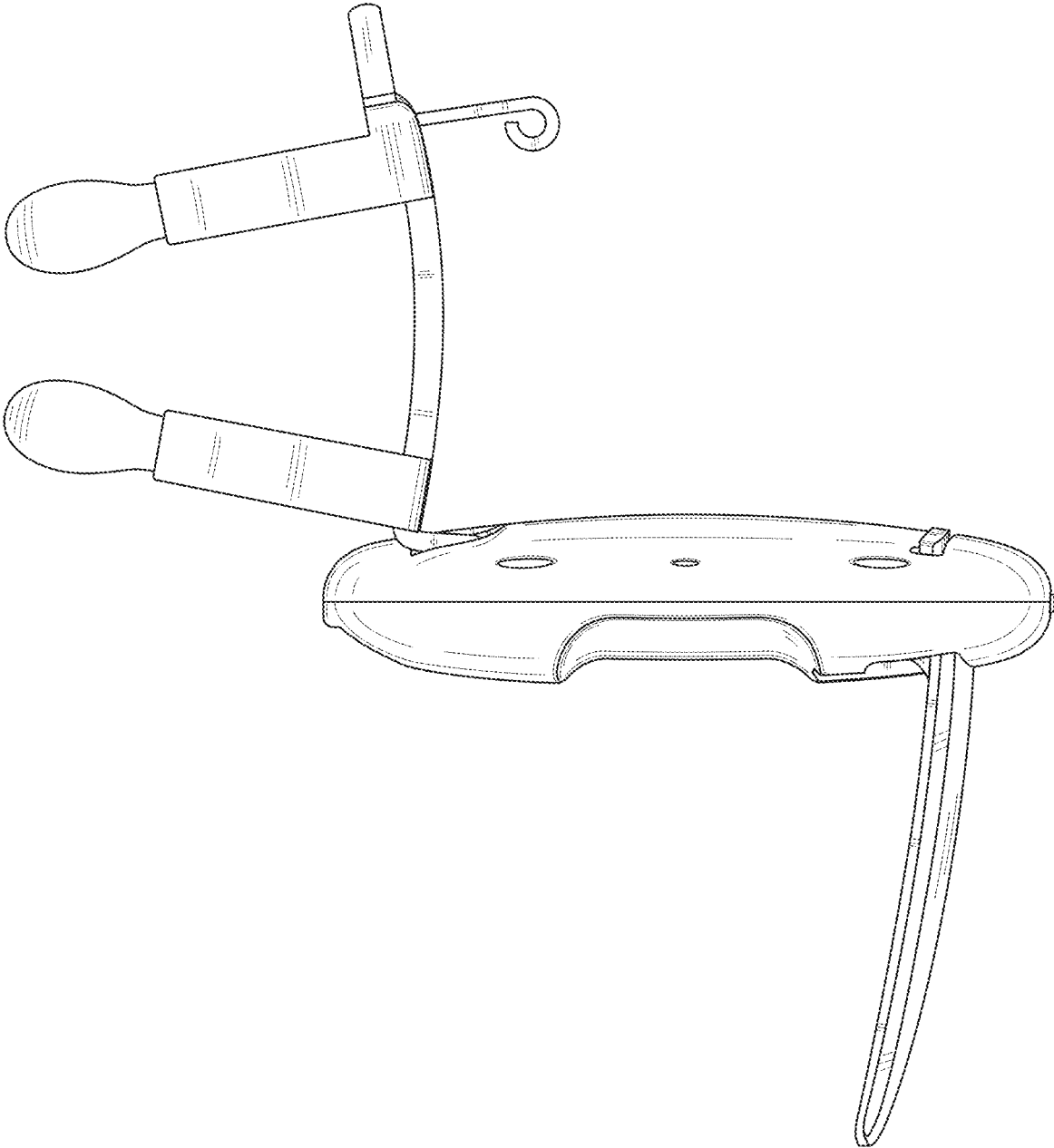


FIG. 5

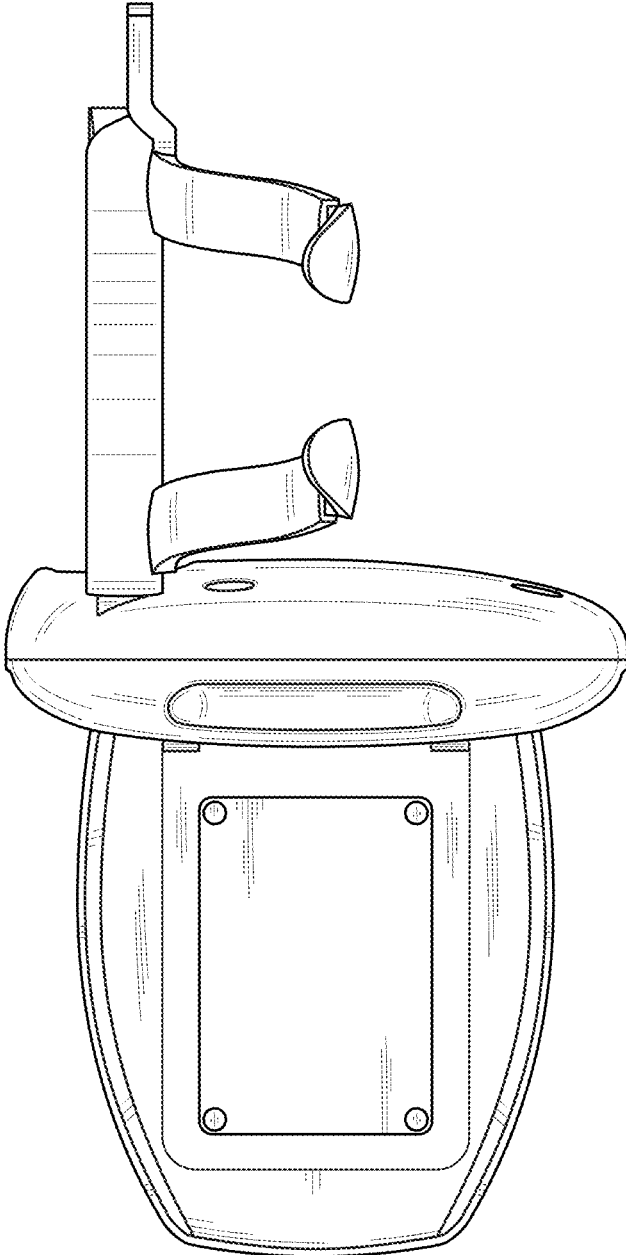


FIG. 6

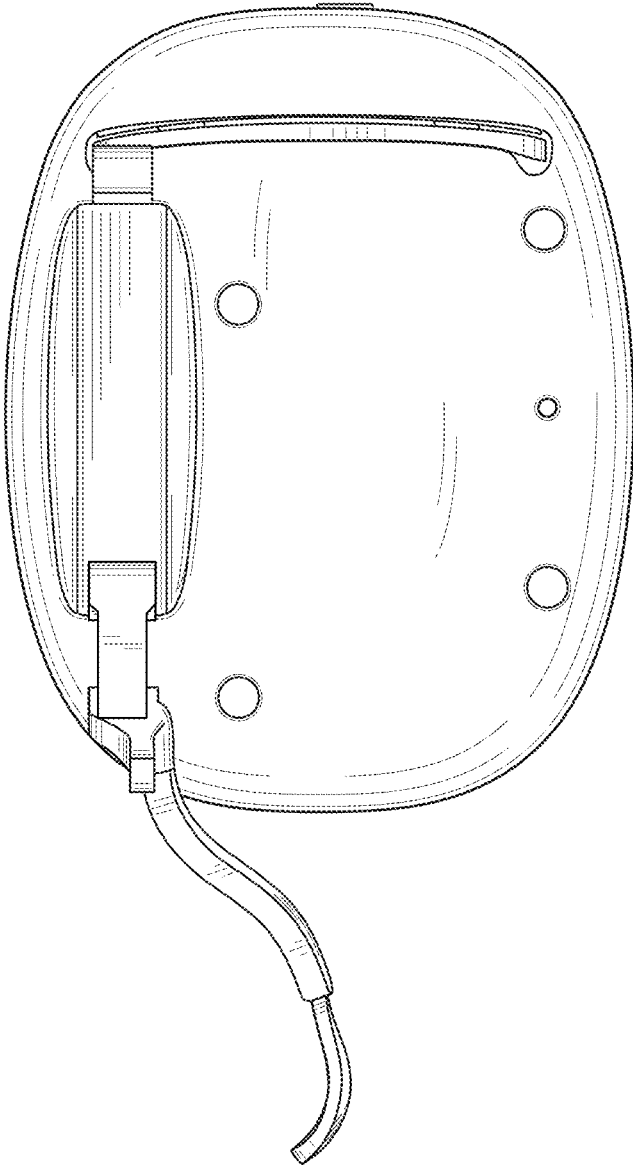


FIG. 7

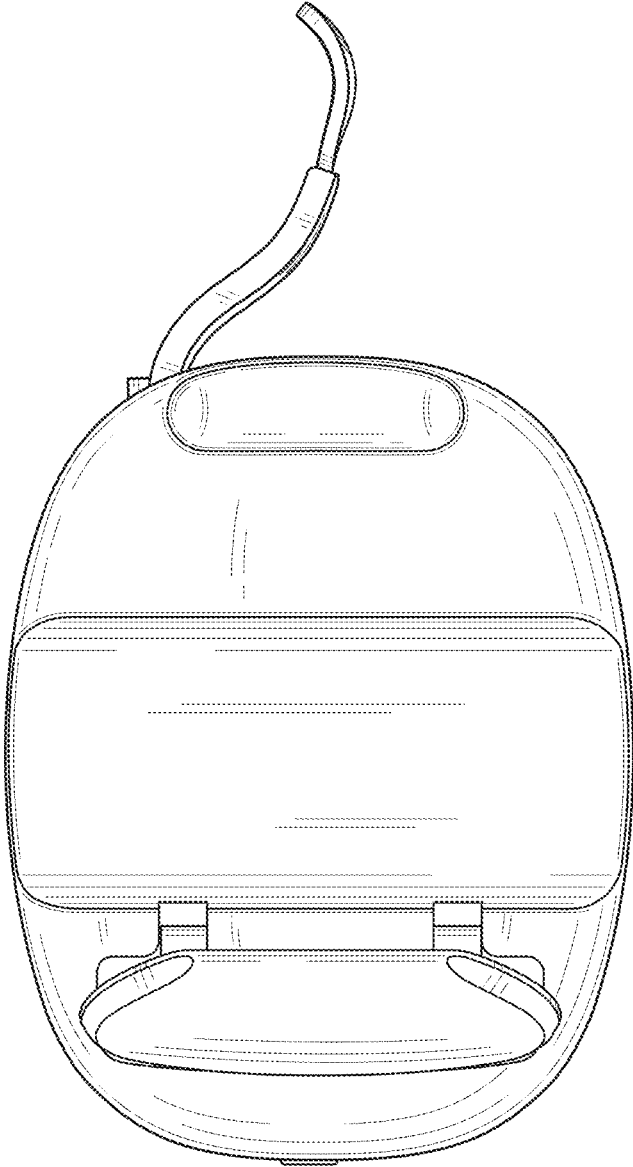


FIG. 8

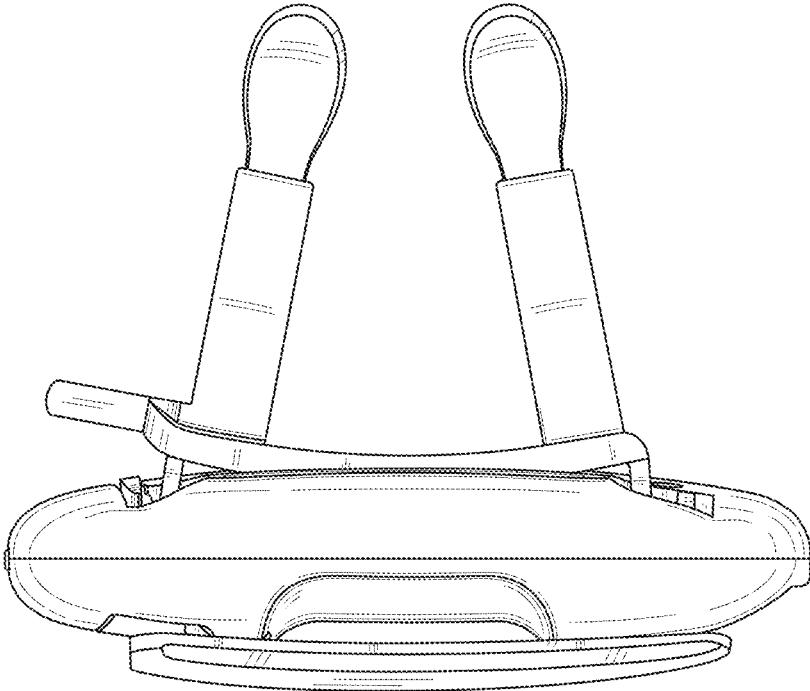


FIG. 9

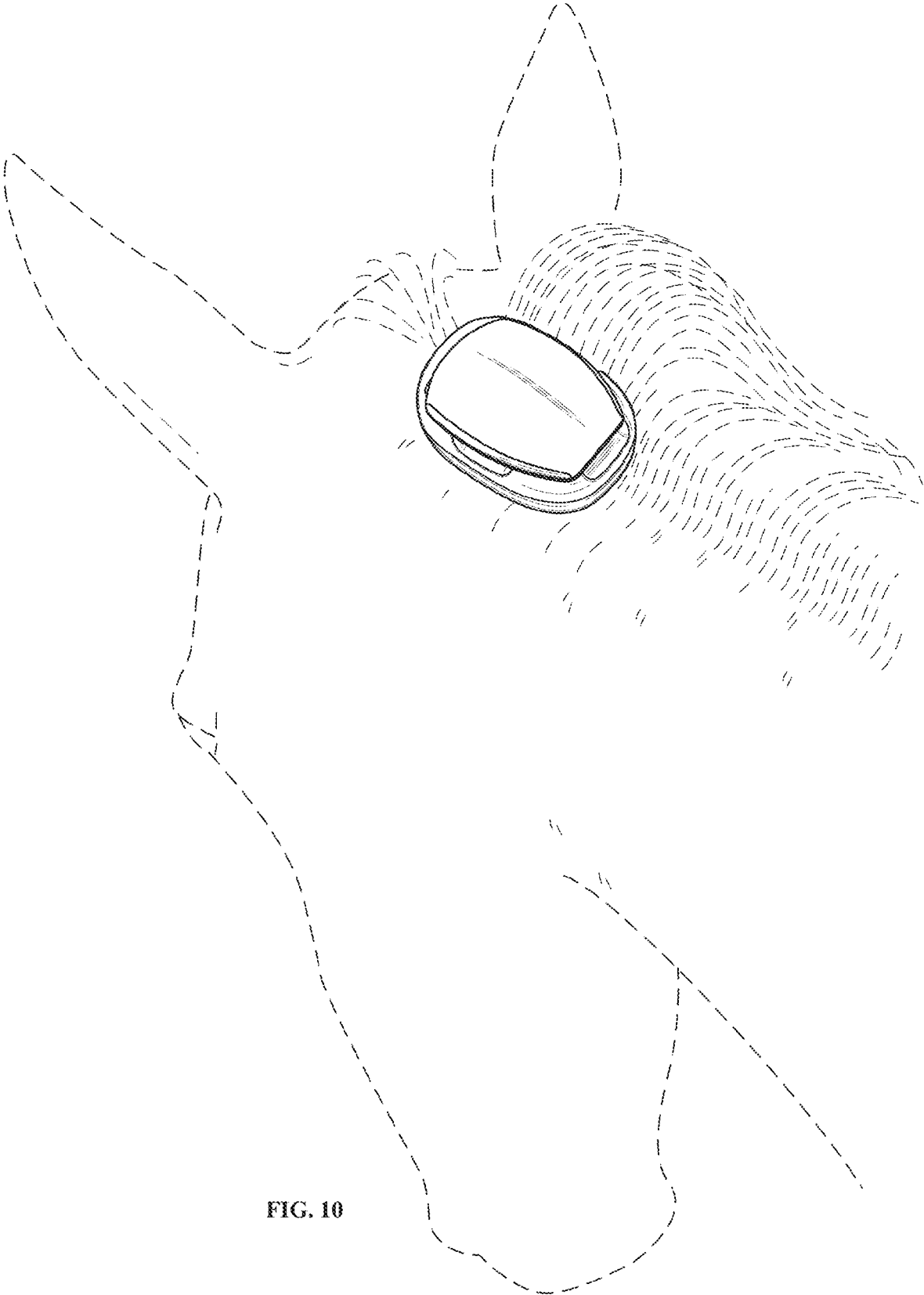


FIG. 10