



(12) **United States Design Patent**
Shalon

(10) **Patent No.:** **US D891,632 S**
(45) **Date of Patent:** **** Jul. 28, 2020**

(54) **GASTROINTESTINAL SAMPLING DEVICE**

(71) Applicant: **Tidhar Dari Shalon**, Los Altos Hills, CA (US)

(72) Inventor: **Tidhar Dari Shalon**, Los Altos Hills, CA (US)

(**) Term: **15 Years**

(21) Appl. No.: **29/665,816**

(22) Filed: **Oct. 8, 2018**

(51) **LOC (12) Cl.** **24-01**

(52) **U.S. Cl.**
USPC **D24/216**

(58) **Field of Classification Search**
USPC D24/107, 216, 219, 223-232, 121, 104, D24/138; D10/81

CPC . A61B 10/04; A61B 10/0038; A61B 10/0051; A61B 10/0096; A61B 2010/0061; B01L 3/5029; B01L 3/5082

See application file for complete search history.

(56) **References Cited**

U.S. PATENT DOCUMENTS

D285,837 S *	9/1986	Wittwer	206/807
D325,444 S *	4/1992	Murashita	D24/224
D477,669 S *	7/2003	Zhou	D24/216
D510,139 S *	9/2005	Gilad	D24/104
D512,150 S *	11/2005	Iddan	D24/104

D543,272 S *	5/2007	Gilad	D24/113
8,812,368 B1 *	8/2014	Gazdzinski	A61B 1/00016 705/21
D743,046 S *	11/2015	Poll	D24/224
D776,291 S *	1/2017	Wan	D24/216
2001/0051766 A1 *	12/2001	Gazdzinski	A61B 10/04 600/309
2005/0143623 A1 *	6/2005	Kojima	A61B 1/041 600/109
2019/0282791 A1 *	9/2019	Jones	A61B 10/04
2019/0343425 A1 *	11/2019	Jones	A61B 5/073

* cited by examiner

Primary Examiner — Anhdao Doan

(74) *Attorney, Agent, or Firm* — Ashok Tankha

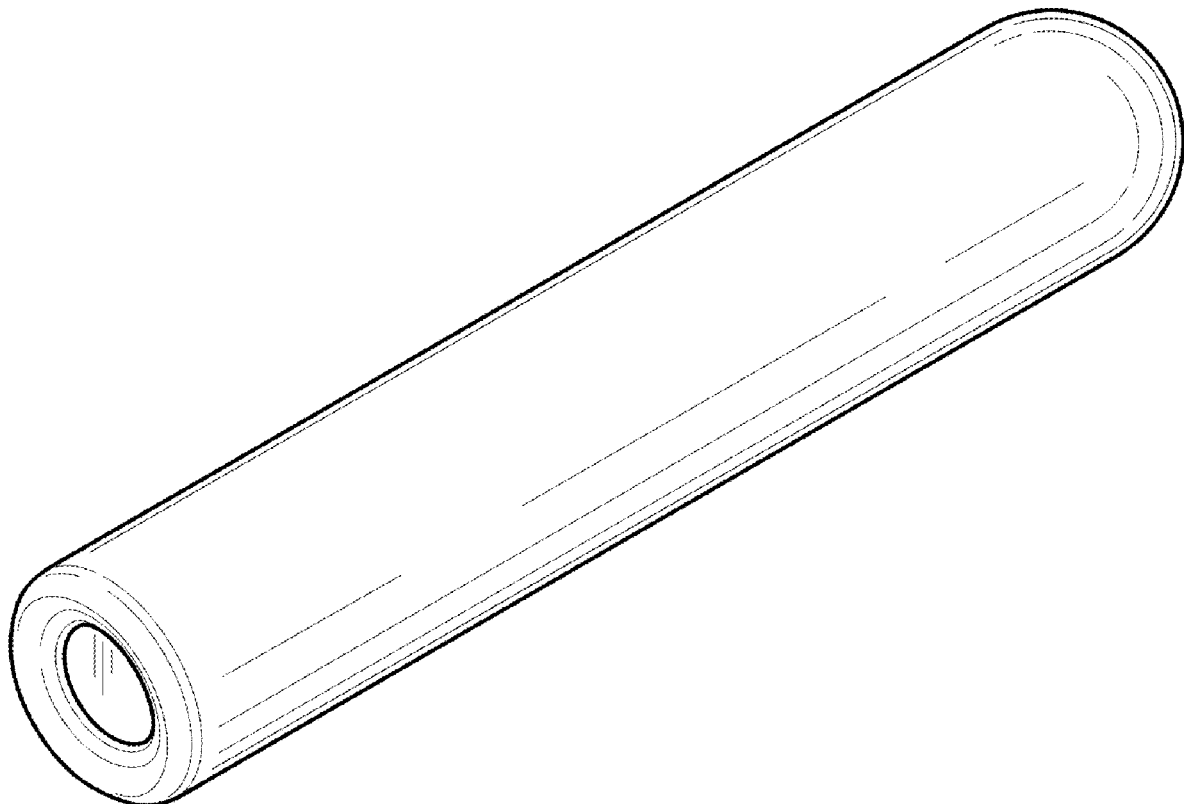
(57) **CLAIM**

The ornamental design for a gastrointestinal sampling device, as shown and described.

DESCRIPTION

FIG. 1 is a front isometric view of an ornamental design for a gastrointestinal sampling device;
FIG. 2 is a rear isometric view thereof;
FIG. 3 is a front elevation view thereof;
FIG. 4 is a rear elevation view thereof;
FIG. 5 is a top plan view thereof;
FIG. 6 is a bottom plan view thereof;
FIG. 7 is a left side elevation view thereof; and,
FIG. 8 is a right side elevation view thereof.

1 Claim, 4 Drawing Sheets



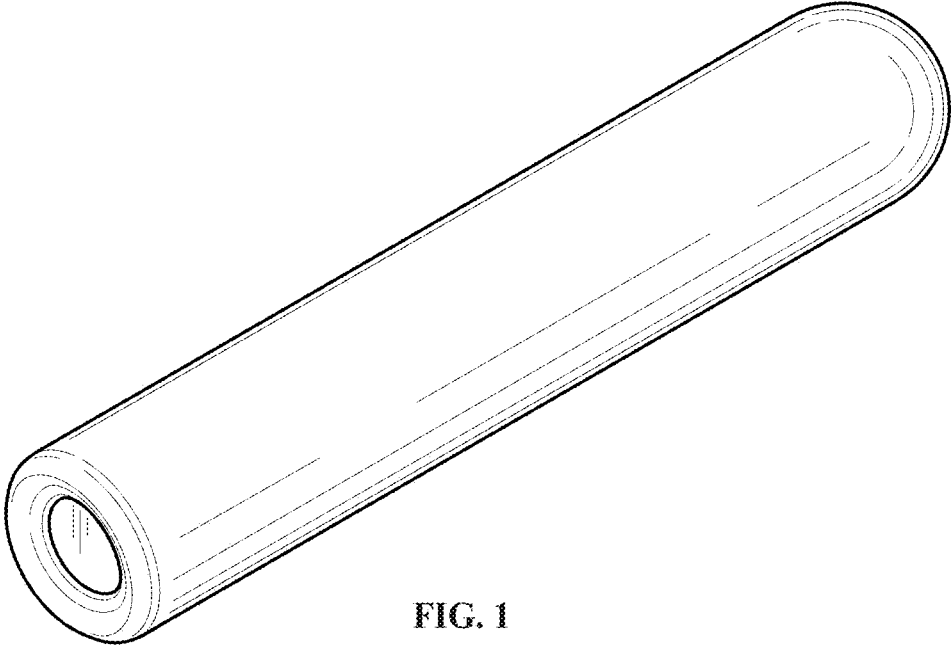


FIG. 1

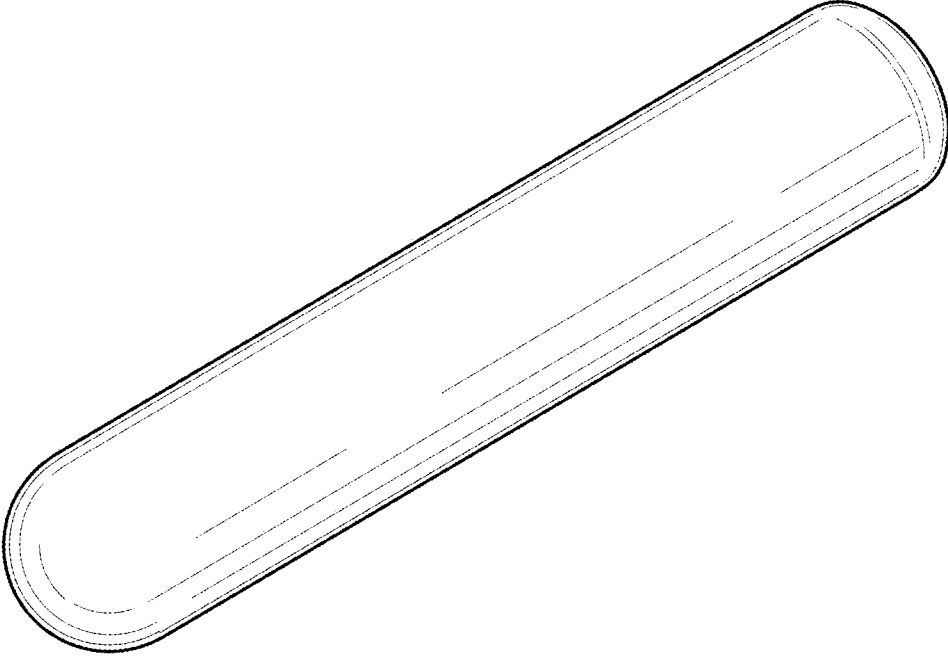


FIG. 2

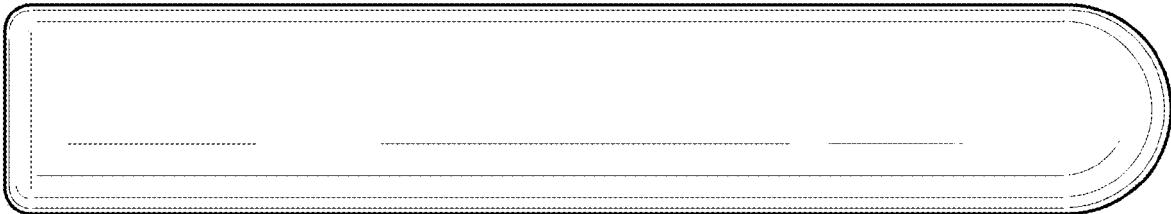


FIG. 3

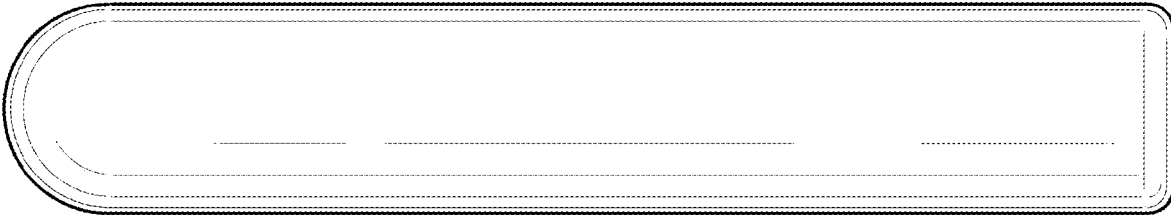


FIG. 4

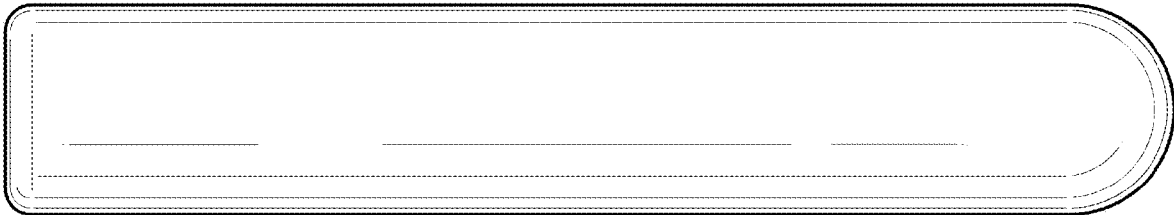


FIG. 5

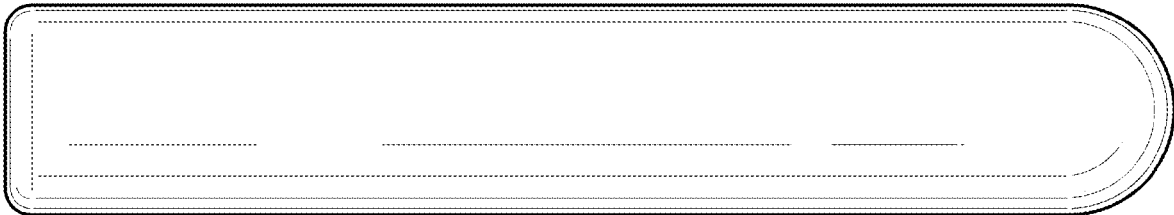


FIG. 6

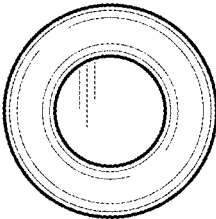


FIG. 7

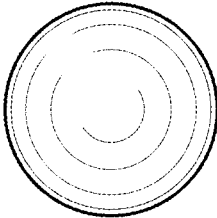


FIG. 8