



US00D891150S

(12) **United States Design Patent**  
**Prashar**

(10) **Patent No.:** **US D891,150 S**

(45) **Date of Patent:** **\*\* Jul. 28, 2020**

(54) **ADJUSTABLE FEET WARMING BLANKET**

**OTHER PUBLICATIONS**

(71) Applicant: **Veenu Prashar**, Menlo Park, CA (US)

Sunbeam Cozy Toes Heated Footwarmer, announced Aug. 2, 2012, [online], [site visited Aug. 8, 2019]. Available from Internet, URL: <https://www.walmart.com/ip/Sunbeam-Cozy-Toes-Heated-Footerwarmer/48931286> (Year: 2012).\*

(72) Inventor: **Veenu Prashar**, Menlo Park, CA (US)

(\*\*) Term: **15 Years**

*Primary Examiner* — Michelle E. Wilson

*Assistant Examiner* — Sanjeev Paul

(21) Appl. No.: **29/640,502**

(74) *Attorney, Agent, or Firm* — Ashok Tankha

(22) Filed: **Mar. 15, 2018**

(57) **CLAIM**

(51) **LOC (12) Cl.** ..... **06-13**

The ornamental design for an adjustable feet warming blanket, as shown and described.

(52) **U.S. Cl.**

USPC ..... **D6/603**

**DESCRIPTION**

(58) **Field of Classification Search**

USPC ..... D6/333, 349, 355, 375, 388, 512, 563, D6/564, 595, 596, 601, 602, 603, 604, D6/605, 606, 607, 608, 707, 715, 716, D6/716.1; 5/636, 490, 491, 495; D24/183-184

CPC ..... A47C 17/021; A47C 17/13; A47C 17/132; A47C 17/136; A47C 17/1655; A47C 17/207; A47G 9/10; A47G 9/1027; A47G 9/1081; A47G 9/1036; A47G 9/1063; A47G 2009/1018; A47G 9/0238; A47G 9/0246; A47G 9/0253

See application file for complete search history.

FIG. 1 is a top, front perspective view of an ornamental design for an adjustable feet warming blanket comprising an upper cover and two lower pieces attached using a zipper; FIG. 2 is a bottom, rear perspective view thereof; FIG. 3 is an exploded view thereof, showing the upper cover of the adjustable feet warming blanket spread open, and the two lower pieces attachable using the zipper; FIG. 4 is an exploded view thereof, showing the upper cover of the adjustable feet warming blanket folded to be positioned on a mattress; FIG. 5 is a front elevation view thereof; FIG. 6 is a rear elevation view thereof; FIG. 7 is a right side elevation view thereof; FIG. 8 is a left side elevation view thereof; FIG. 9 is a top plan view thereof; FIG. 10 is a bottom view thereof; and, FIG. 11 is a top, front perspective view thereof, showing the adjustable feet warming blanket wrapped around the mattress of a bed and a user's feet positioned within a pocket created by the upper cover and one of the lower pieces of the adjustable feet warming blanket.

The broken line showing of the bed, the mattress, and the user in FIG. 11 is for the purpose of illustrating environment and forms no part of the claimed design.

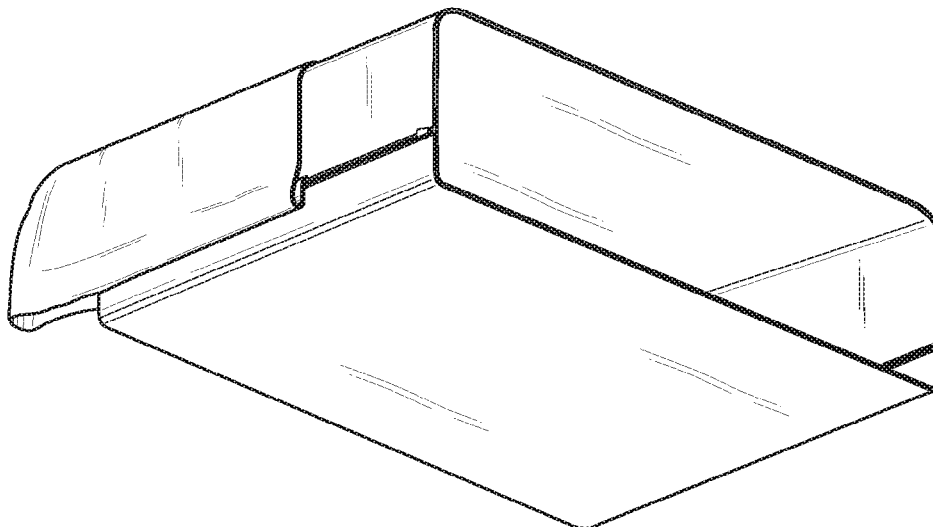
(56) **References Cited**

**U.S. PATENT DOCUMENTS**

D137,638	S	*	4/1944	Spiro, Jr.	.....	D6/610
2,537,652	A	*	1/1951	Churchill	.....	A47C 27/005 5/499
2,705,325	A	*	4/1955	Bogenberger	.....	A41D 13/0015 2/69
2,850,617	A	*	9/1958	Coldren	.....	A61F 7/02 219/529
3,605,143	A	*	9/1971	Smith	.....	A47C 31/105 5/499

(Continued)

**1 Claim, 9 Drawing Sheets**



# US D891,150 S

(56)

## References Cited

### U.S. PATENT DOCUMENTS

3,654,646	A *	4/1972	McMahon, Jr. ....	A47C 21/024 5/497			
D242,490	S *	11/1976	Belkin .....	D6/602			
4,097,944	A *	7/1978	Yulish .....	A47G 9/062 5/419			
D317,841	S *	7/1991	Mendyk .....	D6/602			
5,497,521	A *	3/1996	Waits .....	A47C 21/048 2/69.5			
D383,634	S *	9/1997	Selph .....	D6/596			
5,901,389	A *	5/1999	Manner .....	A47G 9/02 5/482			
6,067,677	A *	5/2000	Reen .....	A47G 9/0246 5/496			
6,845,532	B1 *	1/2005	Rosenblum .....	A47C 27/008 40/661			
D527,562	S *	9/2006	Manning .....	D6/603			
D587,952	S *	3/2009	Skipper .....	D6/595			
D623,884	S *	9/2010	Reilly .....	D6/603			
D674,645	S *	1/2013	Hengel .....	D6/602			
D679,930	S *	4/2013	Thomas .....	D6/603			
				D681,996	S *	5/2013	Jimenez-Hernandez ..... D6/602
				D685,579	S *	7/2013	Phillips ..... D3/303
				8,544,135	B2 *	10/2013	Scott ..... A47L 13/18 15/104.93
				D698,587	S *	2/2014	Caines ..... D6/602
				D699,983	S *	2/2014	Polesuk ..... D6/602
				D707,466	S *	6/2014	Lancaster ..... D6/603
				D713,655	S *	9/2014	Blatt ..... D6/596
				D742,533	S *	11/2015	Kang ..... D24/207
				D744,263	S *	12/2015	Quinones ..... D2/719
				D776,459	S *	1/2017	Ibarra ..... D6/603
				D778,638	S *	2/2017	Williams ..... D6/602
				D821,781	S *	7/2018	Rivera-Huerta ..... D6/602
				D829,022	S *	9/2018	McAfee ..... D6/603
				D837,571	S *	1/2019	Keever ..... D6/606
				D850,819	S *	6/2019	Lloyd-Caldwell ..... D6/603
				D871,110	S *	12/2019	Atkinson ..... D6/606
				D871,798	S *	1/2020	Simmons ..... D6/602
				2008/0005837	A1 *	1/2008	Sylvia ..... A47G 9/0207 5/504.1
				2013/0117933	A1 *	5/2013	Mickle ..... A47G 9/02 5/413 R

\* cited by examiner

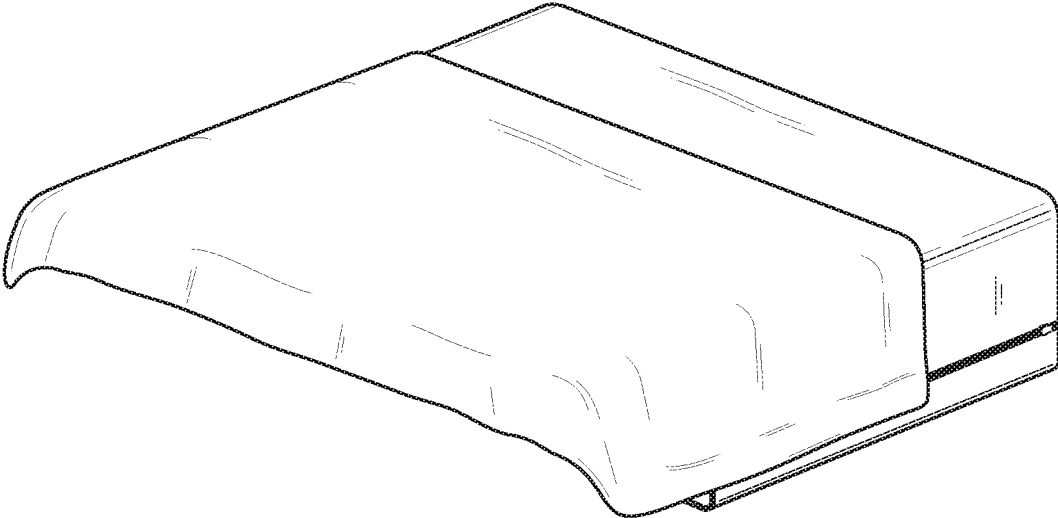


FIG. 1

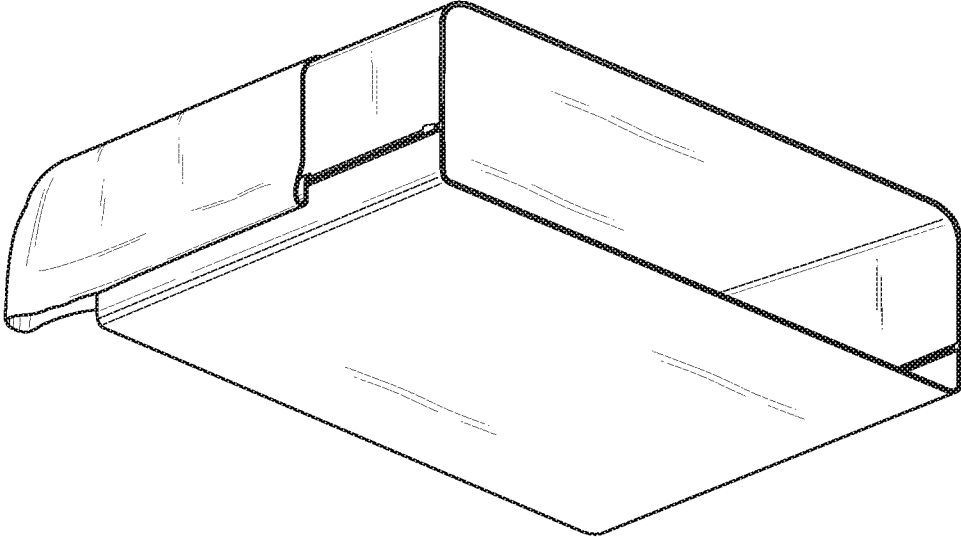


FIG. 2

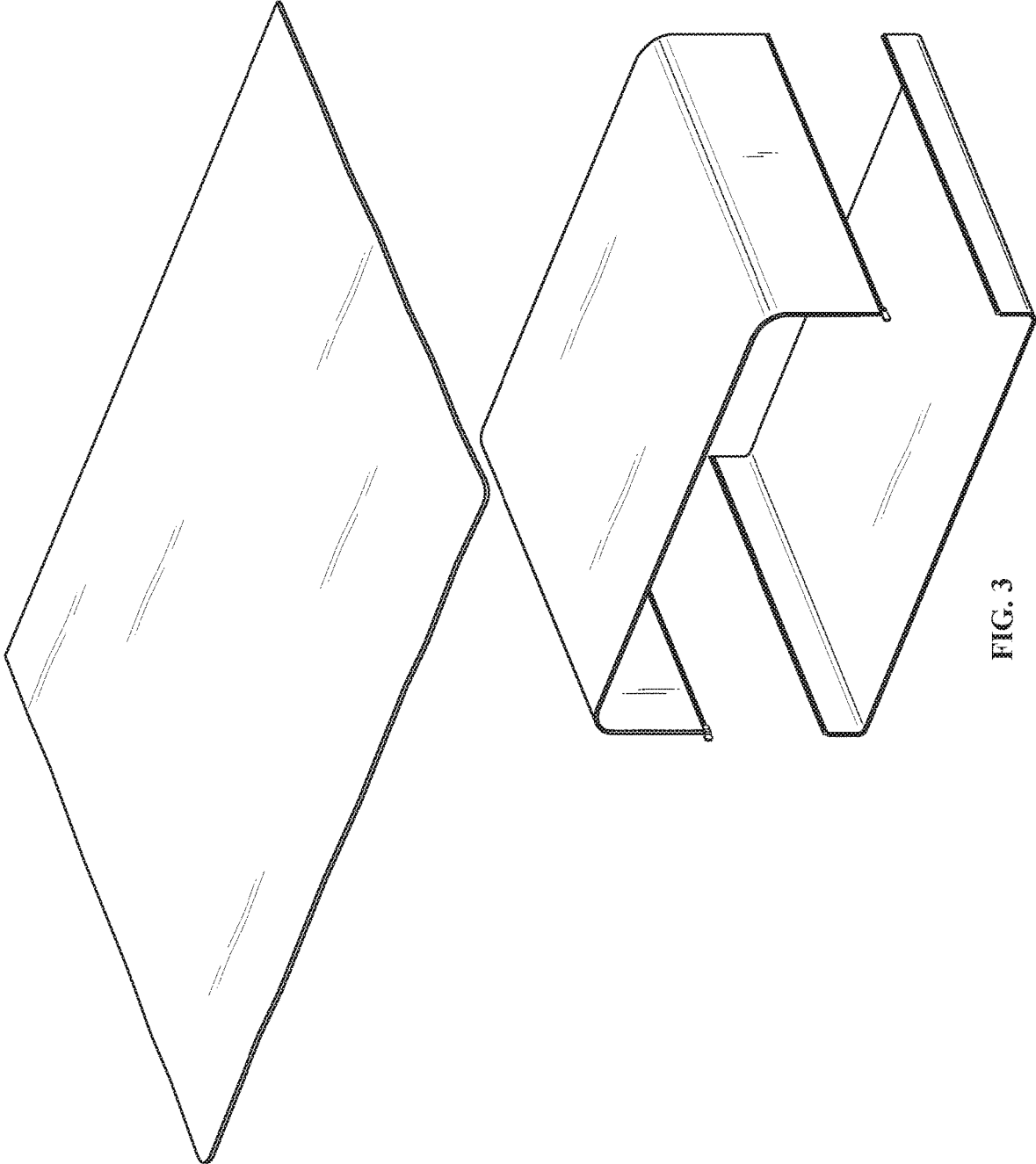


FIG. 3

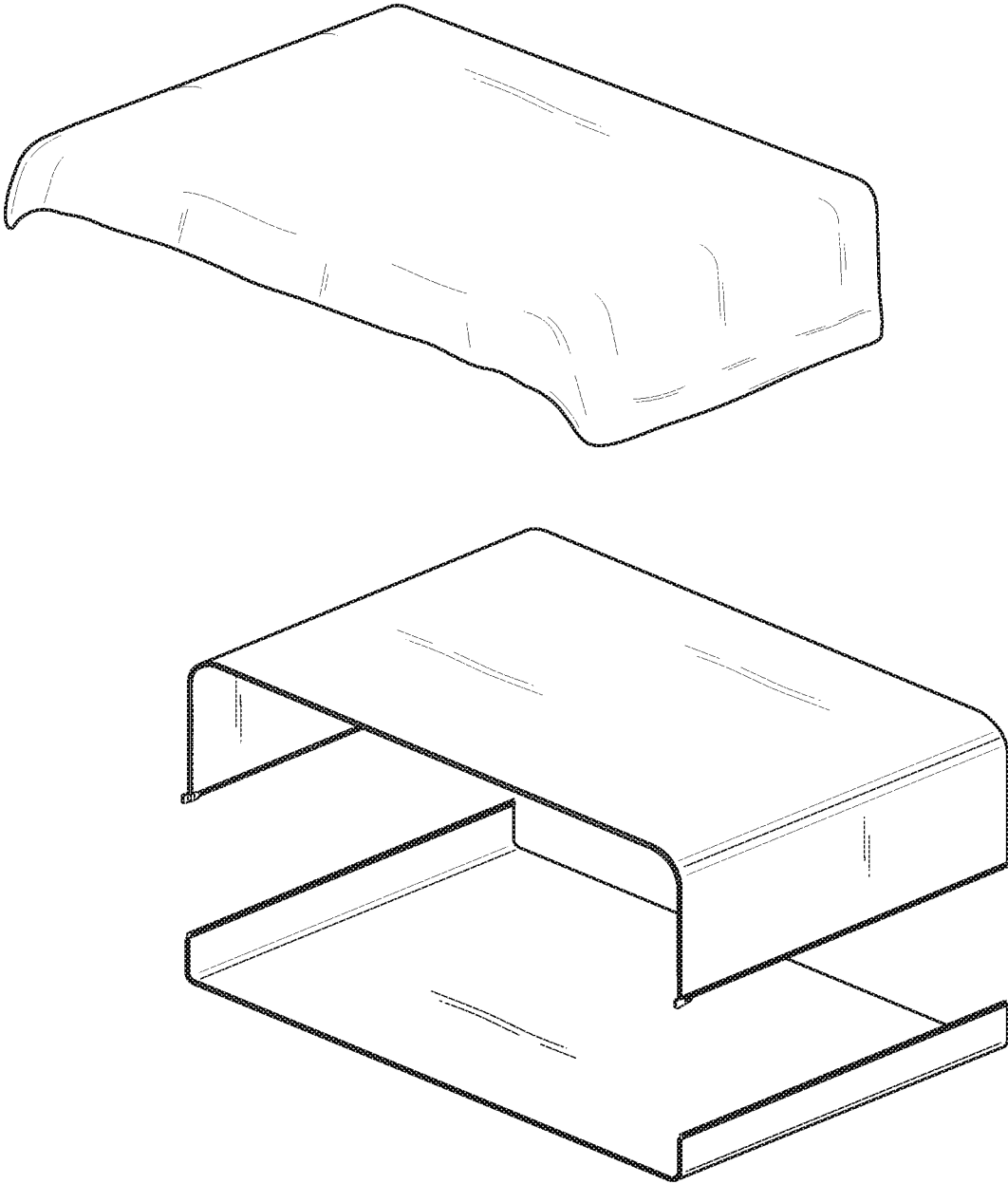


FIG. 4

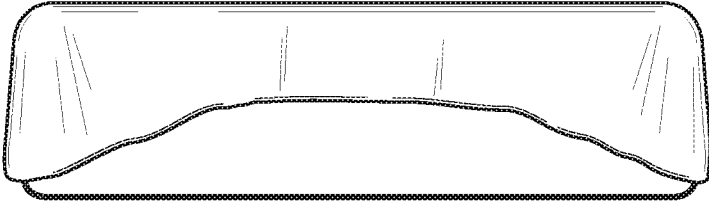


FIG. 5

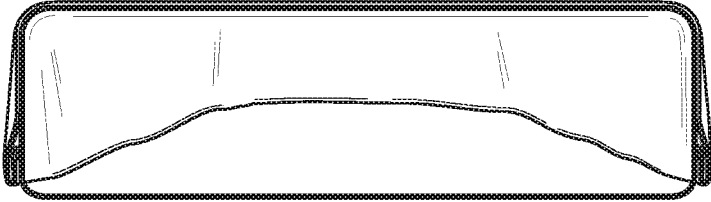


FIG. 6

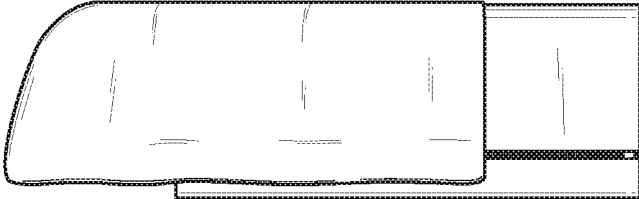


FIG. 7



FIG. 8



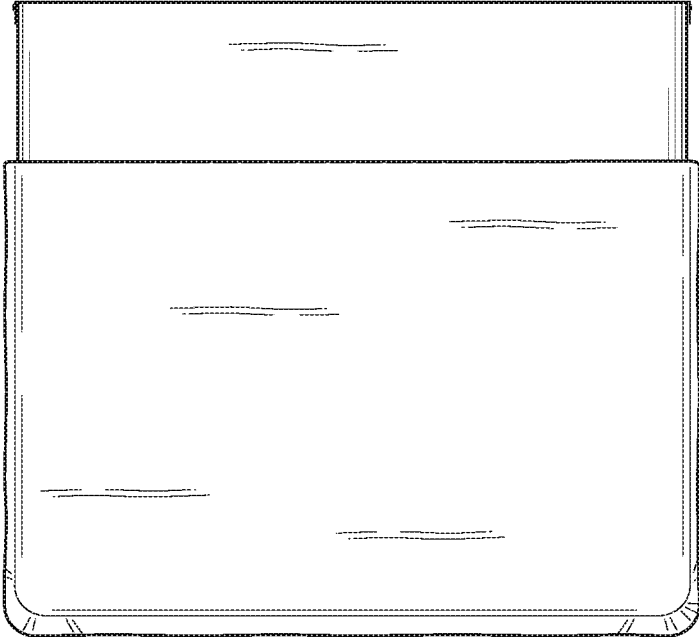


FIG. 9

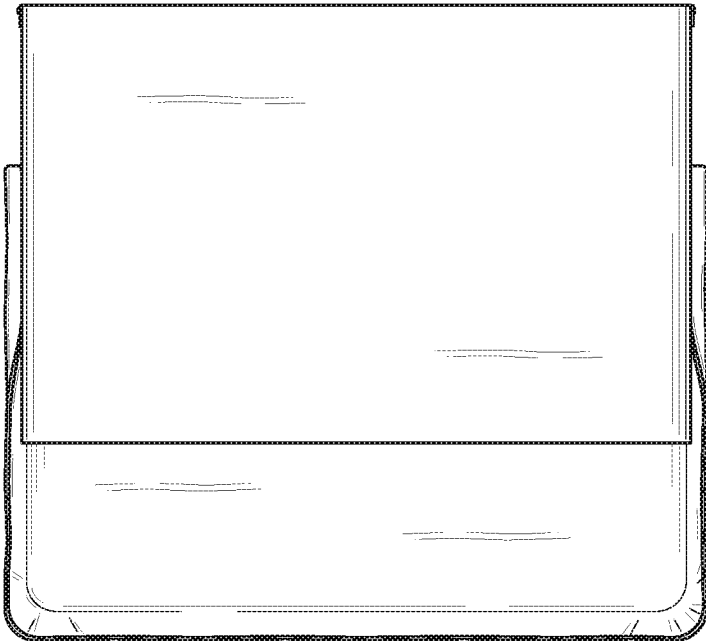


FIG. 10

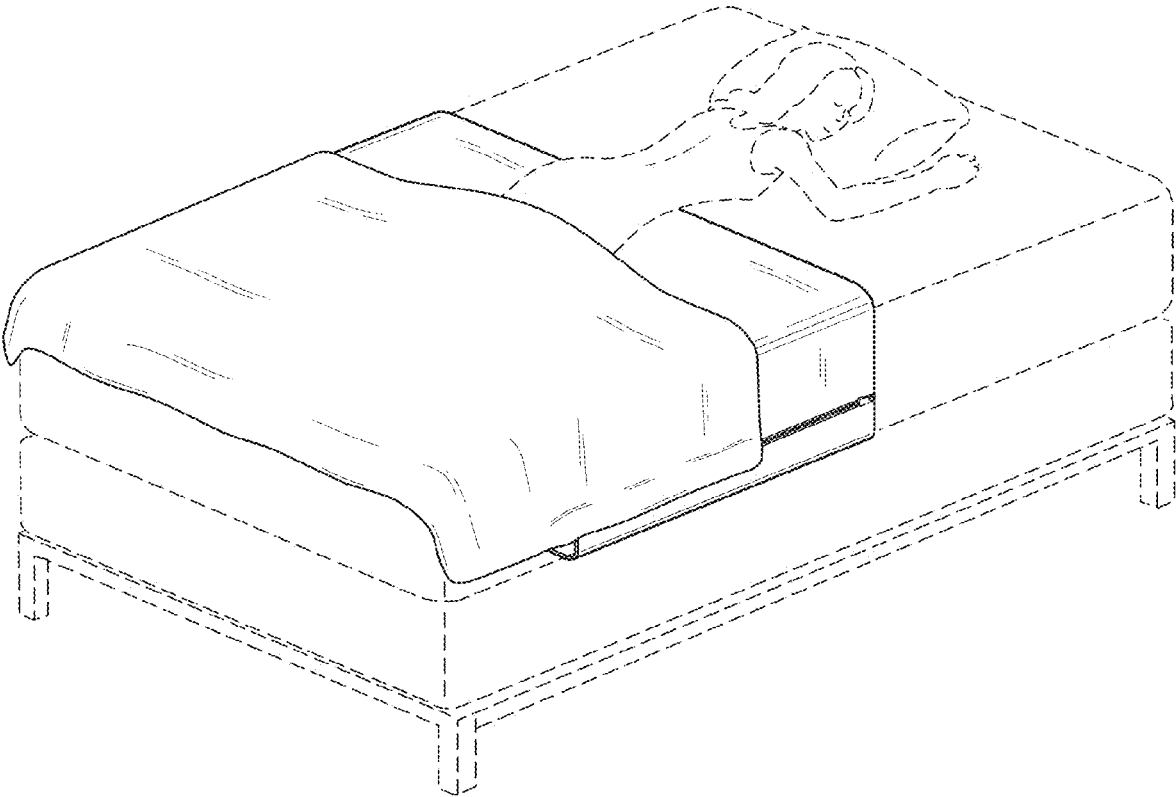


FIG. 11