



US00D861807S

(12) **United States Design Patent**  
**Huber**

(10) **Patent No.:** **US D861,807 S**

(45) **Date of Patent:** **\*\* Oct. 1, 2019**

(54) **ROTATABLE BASE ACCESSORY FOR A FITNESS BALANCE DEVICE**

(71) Applicant: **Wendy Lynn Huber**, San Jose, CA (US)

(72) Inventor: **Wendy Lynn Huber**, San Jose, CA (US)

(73) Assignee: **Center Strength Pilates, LLC**, San Jose, CA (US)

(\*\*) Term: **15 Years**

(21) Appl. No.: **29/609,935**

(22) Filed: **Jul. 7, 2017**

(51) **LOC (12) Cl.** ..... **21-02**

(52) **U.S. Cl.**  
USPC ..... **D21/688**

(58) **Field of Classification Search**  
USPC ..... D21/686, 688, 780, 689; 482/142, 52, 482/147, 14, 148, 112  
CPC ..... A63B 22/18; A63B 26/003; A63B 22/14; A63B 22/20; A63B 21/4049; A63B 2071/025; A63B 21/068; A63B 2208/0204; A63B 22/16

See application file for complete search history.

(56) **References Cited**

**U.S. PATENT DOCUMENTS**

- 1,732,113 A \* 10/1929 Van Der Meer ..... B60S 13/02 108/139
- 2,351,293 A \* 6/1944 Saunders ..... A63B 22/14 248/349.1
- 3,512,774 A \* 5/1970 Honer ..... A63B 22/14 482/147
- 3,862,768 A \* 1/1975 England ..... A63B 21/0004 280/205
- D241,863 S \* 10/1976 Friedl ..... D21/689

- 4,117,627 A \* 10/1978 Slingerland, Jr. .... A47G 7/041 108/103
- D281,664 S \* 12/1985 Crotty ..... D8/74
- D315,997 S \* 4/1991 Bales ..... D6/708.2
- D373,865 S \* 9/1996 Wells ..... D32/54
- D390,064 S \* 2/1998 Barnett ..... D7/501
- D477,376 S \* 7/2003 O'Dell ..... D21/780
- D491,239 S \* 6/2004 Lamont ..... D21/688
- 6,854,608 B2 \* 2/2005 McNeeley ..... A47B 49/00 211/78
- 6,916,276 B1 \* 7/2005 Robinson ..... A63B 22/16 482/147
- D513,353 S \* 12/2005 Pederson ..... D34/28
- 7,004,886 B2 \* 2/2006 Chen ..... A61H 1/0292 482/14
- D560,047 S \* 1/2008 Kershaw ..... D32/54

(Continued)

*Primary Examiner* — Ryan Harvey

(74) *Attorney, Agent, or Firm* — Ashok Tankha

(57) **CLAIM**

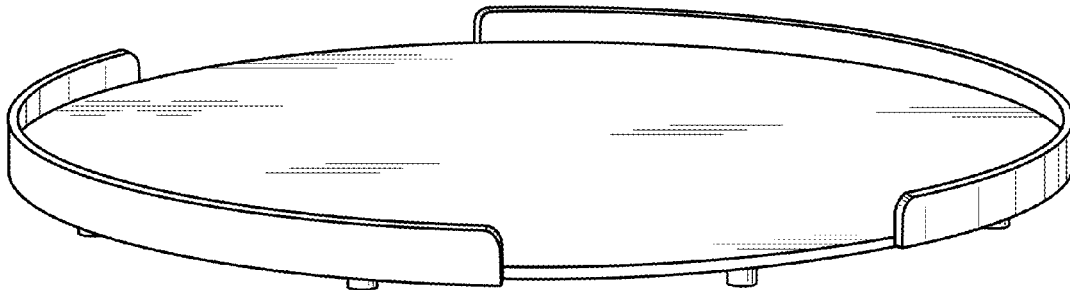
The ornamental design for a rotatable base accessory for a fitness balance device, as shown and described.

**DESCRIPTION**

FIG. 1 is a top perspective view of an ornamental design for a rotatable base accessory for a fitness balance device;  
 FIG. 2 is a top perspective view thereof, showing a fitness balance device positioned on a top plate of the rotatable base accessory;  
 FIG. 3 is an exploded left side elevation view thereof;  
 FIG. 4 is an assembled left side elevation view thereof;  
 FIG. 5 is an exploded top perspective view thereof;  
 FIG. 6 is an exploded bottom perspective view thereof;  
 FIG. 7 is an assembled bottom perspective view thereof;  
 FIG. 8 is a top plan view thereof; and,  
 FIG. 9 is a bottom view thereof.

The broken line showing of the fitness balance device in FIG. 2 is for the purpose of illustrating environment and forms no part of the claimed design.

**1 Claim, 8 Drawing Sheets**



# US D861,807 S

Page 2

(56)

## References Cited

### U.S. PATENT DOCUMENTS

7,553,267	B1 *	6/2009	Hauser	.....	A63B 21/00047	482/141
7,575,540	B1 *	8/2009	Dobrow	.....	A63B 21/0004	482/140
D612,896	S	3/2010	Talley			
D642,638	S *	8/2011	Clark	.....	D21/686	
D651,263	S *	12/2011	Kulzer	.....	D21/686	
D652,460	S *	1/2012	Kulzer	.....	D21/686	
D667,903	S *	9/2012	Chiu	.....	D21/662	
8,702,574	B2	4/2014	Abranchess			
8,814,768	B1 *	8/2014	Yang	.....	A63B 22/18	482/121
D735,822	S *	8/2015	Weck	.....	D21/686	
9,566,468	B2	2/2017	Crist			
2003/0054927	A1 *	3/2003	Weck	.....	A63B 21/0004	482/148
2004/0142801	A1 *	7/2004	Lin	.....	A63B 21/0004	482/142
2005/0245372	A1 *	11/2005	Mylrea	.....	A63B 21/0004	482/148
2007/0207901	A1 *	9/2007	Traub	.....	A63B 26/003	482/52
2010/0267533	A1 *	10/2010	Susnjara	.....	A63B 21/0004	482/142
2012/0277078	A1	11/2012	Seade			
2013/0017937	A1 *	1/2013	Guarrasi	.....	A63B 26/00	482/142
2013/0334846	A1 *	12/2013	Bahneman	.....	A47C 9/00	297/195.11
2014/0162858	A1 *	6/2014	Dalebout	.....	A63B 23/02	482/142
2014/0162859	A1 *	6/2014	Cheng	.....	A63B 26/003	482/142
2015/0011369	A1	1/2015	Peritz			
2016/0074702	A1 *	3/2016	MacDonald	.....	A63B 22/14	482/147
2016/0325135	A1 *	11/2016	Franche	.....	A63B 22/16	
2019/0175983	A1 *	6/2019	Carr	.....	A63B 22/18	

\* cited by examiner

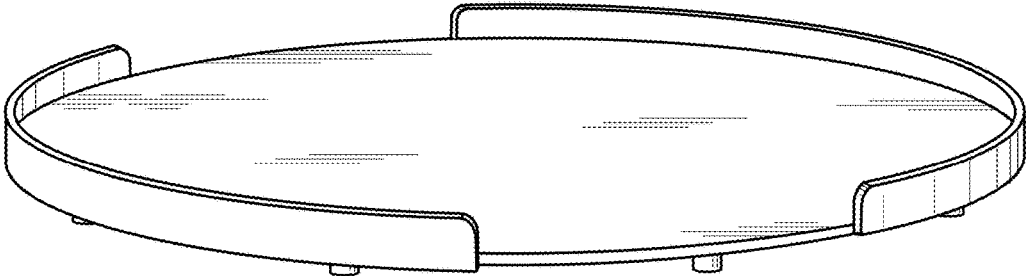


FIG. 1

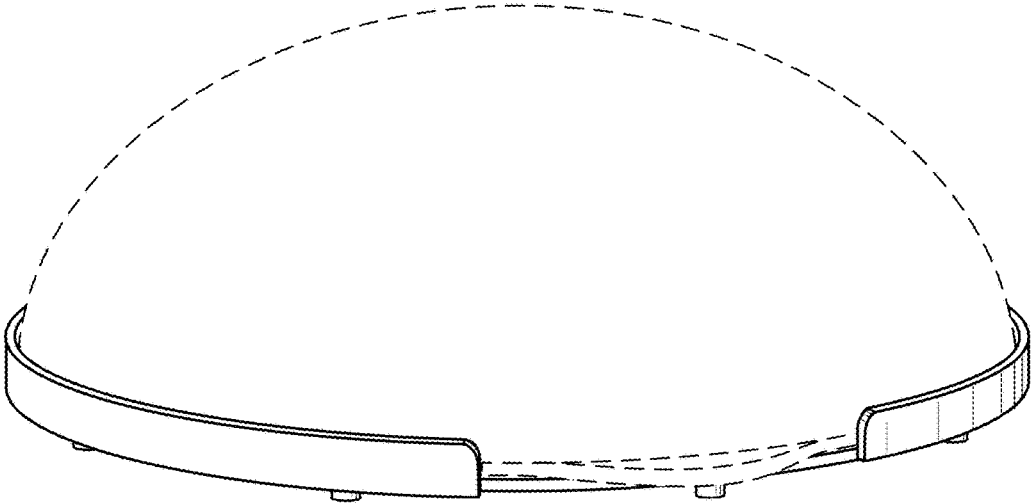


FIG. 2

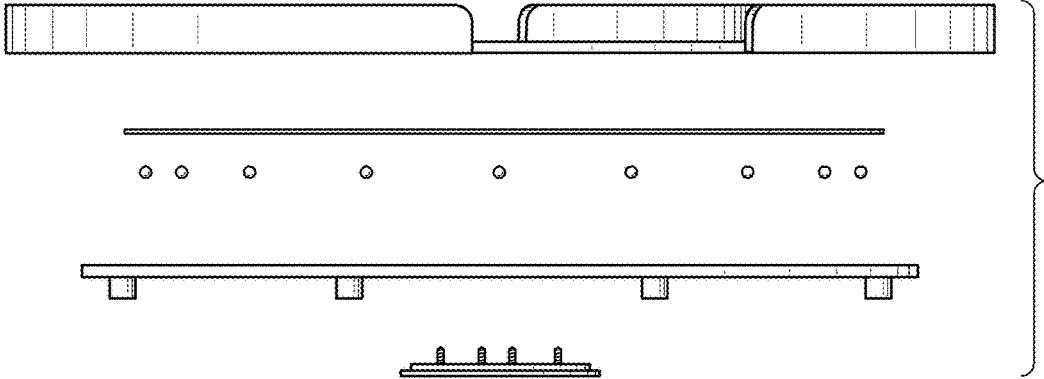


FIG. 3

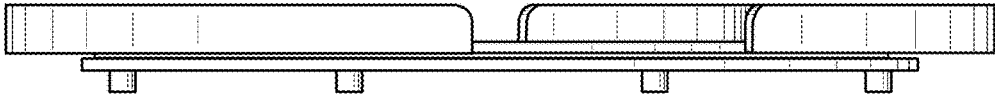


FIG. 4

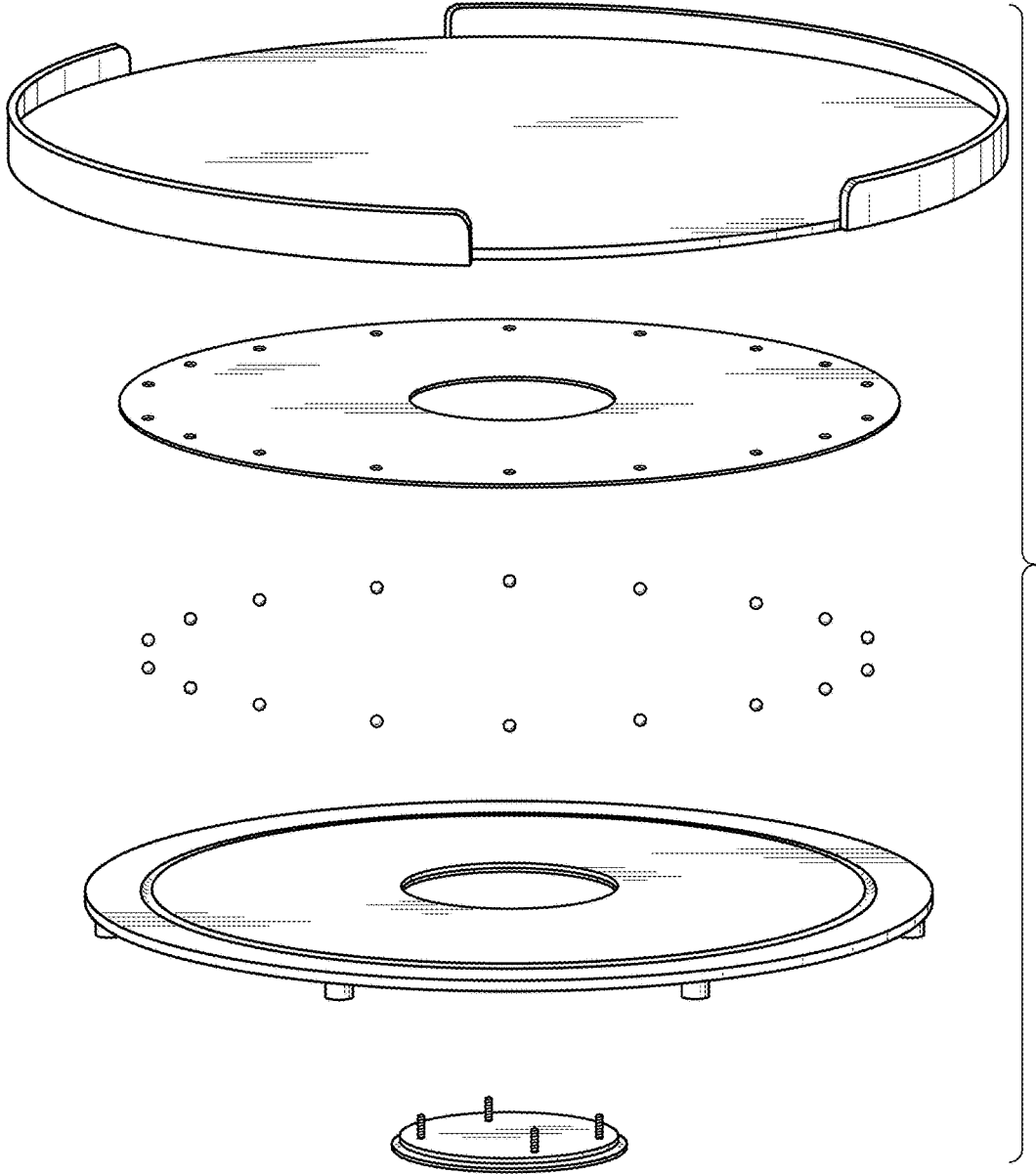


FIG. 5

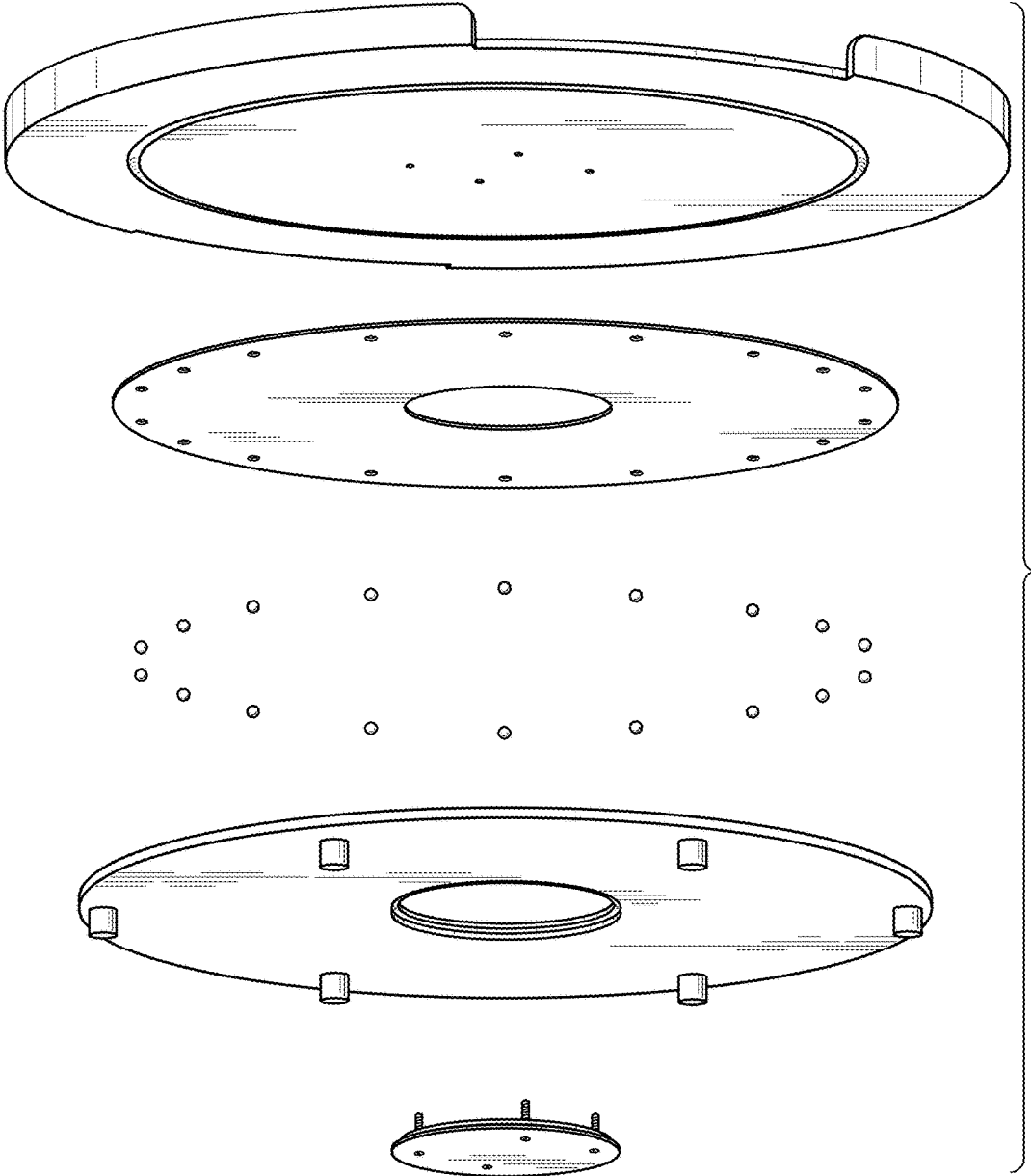


FIG. 6

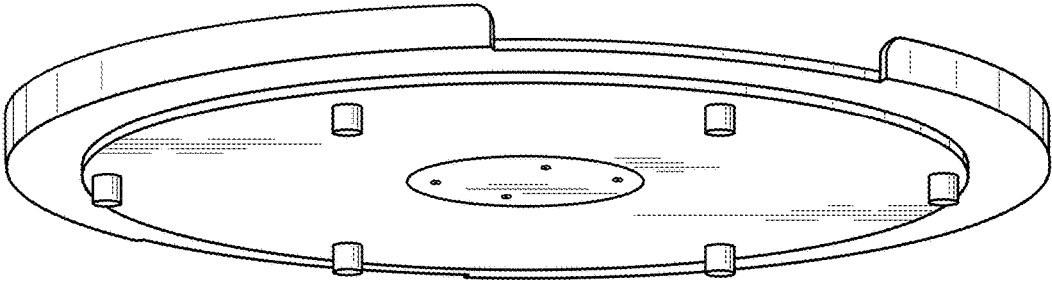


FIG. 7



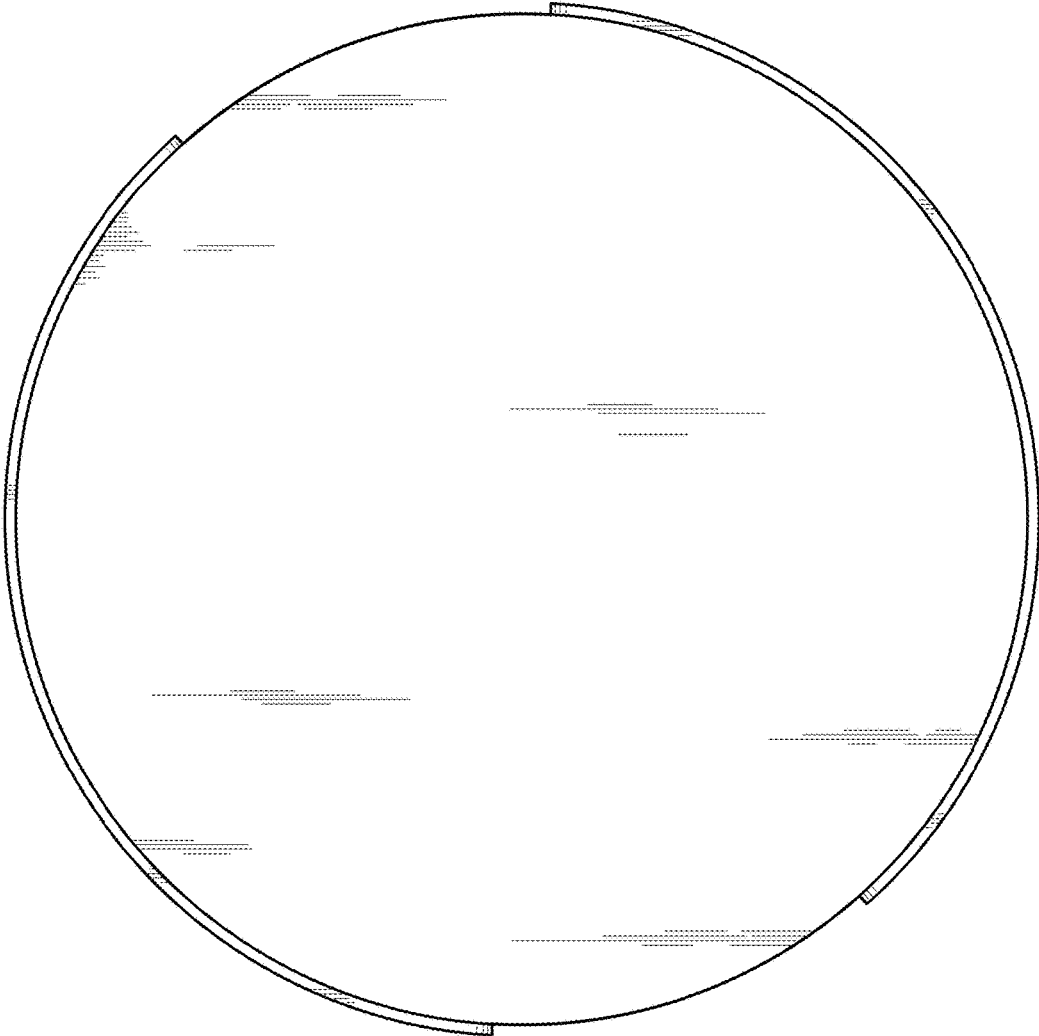


FIG. 8

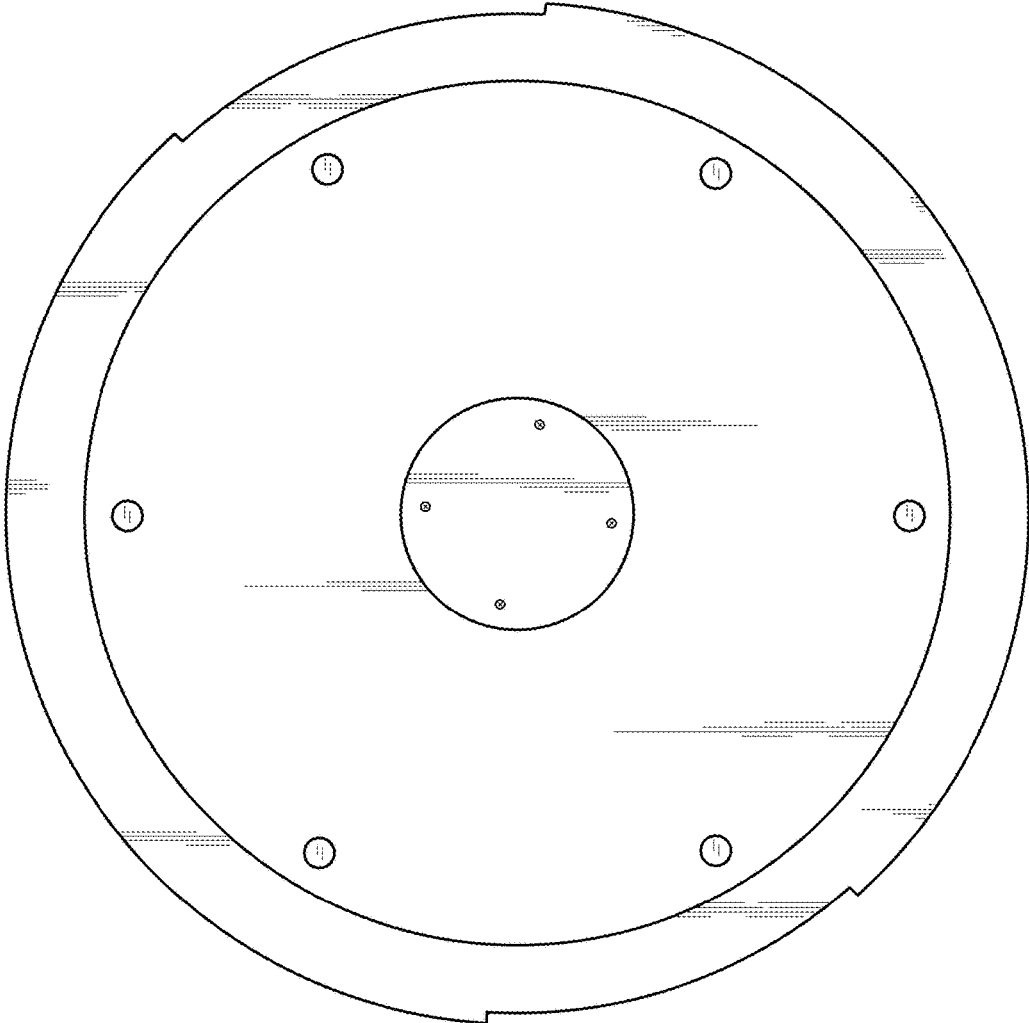


FIG. 9