



(12) **United States Design Patent**
Nguyen

(10) **Patent No.:** **US D654,922 S**
(45) **Date of Patent:** **** Feb. 28, 2012**

(54) **MULTI-PURPOSE MONITOR ATTACHMENT
COMPRISING A VENT PROTECTING
ELEMENT AND SUPPLY TRAY**

(76) Inventor: **Thai Quoc Nguyen**, San Jose, CA (US)

(**) Term: **14 Years**

(21) Appl. No.: **29/356,248**

(22) Filed: **Feb. 22, 2010**

(51) **LOC (9) Cl.** **14-02**

(52) **U.S. Cl.** **D14/449**

(58) **Field of Classification Search** D14/448-450,
D14/432, 439, 440; D3/304, 310, 315, 201,
D3/206; D6/301, 449, 451, 555, 573, 574,
D6/509, 510, 511, 420; 248/918; 206/555,
206/557, 561, 562, 563, 564; 224/929
See application file for complete search history.

(56) **References Cited**

U.S. PATENT DOCUMENTS

4,958,737	A	9/1990	Auerbach	
D331,397	S *	12/1992	Howitt et al.	D14/450
D336,197	S *	6/1993	Wilcox	D6/570
5,427,292	A *	6/1995	Rousch	224/275
D395,293	S *	6/1998	Kirby	D14/449
5,915,561	A *	6/1999	Lorenzana et al.	206/562
6,100,942	A *	8/2000	Hollenbaugh et al.	348/836
D433,063	S *	10/2000	Fong	D19/77
6,398,178	B1 *	6/2002	Azola et al.	248/442.2
D463,439	S *	9/2002	Olivo	D14/448
6,592,193	B1	7/2003	Curry	
D487,093	S *	2/2004	Hassett	D14/448
6,839,227	B1 *	1/2005	Correa	361/679.23
7,254,821	B2	8/2007	Chen et al.	
D620,011	S *	7/2010	Wagenhoffer, Jr.	D14/450
2004/0089782	A1 *	5/2004	Eliason et al.	248/346.01

* cited by examiner

Primary Examiner — Angela J Lee

(74) Attorney, Agent, or Firm — Ash Tankha; Lipton,
Weinberger & Husick

(57) **CLAIM**

The ornamental design for a multi-purpose monitor attachment comprising a vent protecting element and supply tray, as shown and described.

DESCRIPTION

FIG. 1 is a front perspective view of a new design for a multi-purpose monitor attachment comprising a vent protecting element attached to a supply tray.

FIG. 2 is a front perspective view of the vent protecting element of the multi-purpose monitor attachment, shown separately for clarity of illustration.

FIG. 3 is a side orthogonal view of the vent protecting element of the multi-purpose monitor attachment, shown separately for clarity of illustration.

FIG. 4 is a bottom orthogonal view of the vent protecting element of the multi-purpose monitor attachment, shown separately for clarity of illustration.

FIG. 5 is a top orthogonal view of the vent protecting element of the multi-purpose monitor attachment, shown separately for clarity of illustration.

FIG. 6 is a front perspective view of the supply tray, shown in FIG. 1, shown separately for clarity of illustration.

FIG. 7 is a top orthogonal view of the supply tray, shown separately for clarity of illustration.

FIG. 8 is a bottom orthogonal view of the supply tray, shown separately for clarity of illustration.

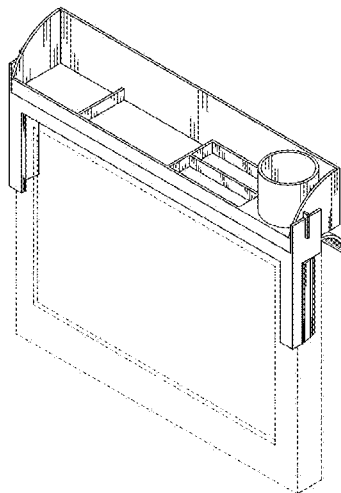
FIG. 9 is a side orthogonal view of the new design for the multi-purpose monitor attachment and supply tray mounted on an electronic device; and,

FIG. 10 is a rear perspective view of the new design for the multi-purpose monitor attachment and supply tray mounted on an electronic device.

The broken line showing of a monitor is included for the purpose of illustrating environment and forms no part of the claimed design.

The broken line showing of an electronic device is included for the purpose of illustrating environment and forms no part of the claimed design.

1 Claim, 8 Drawing Sheets



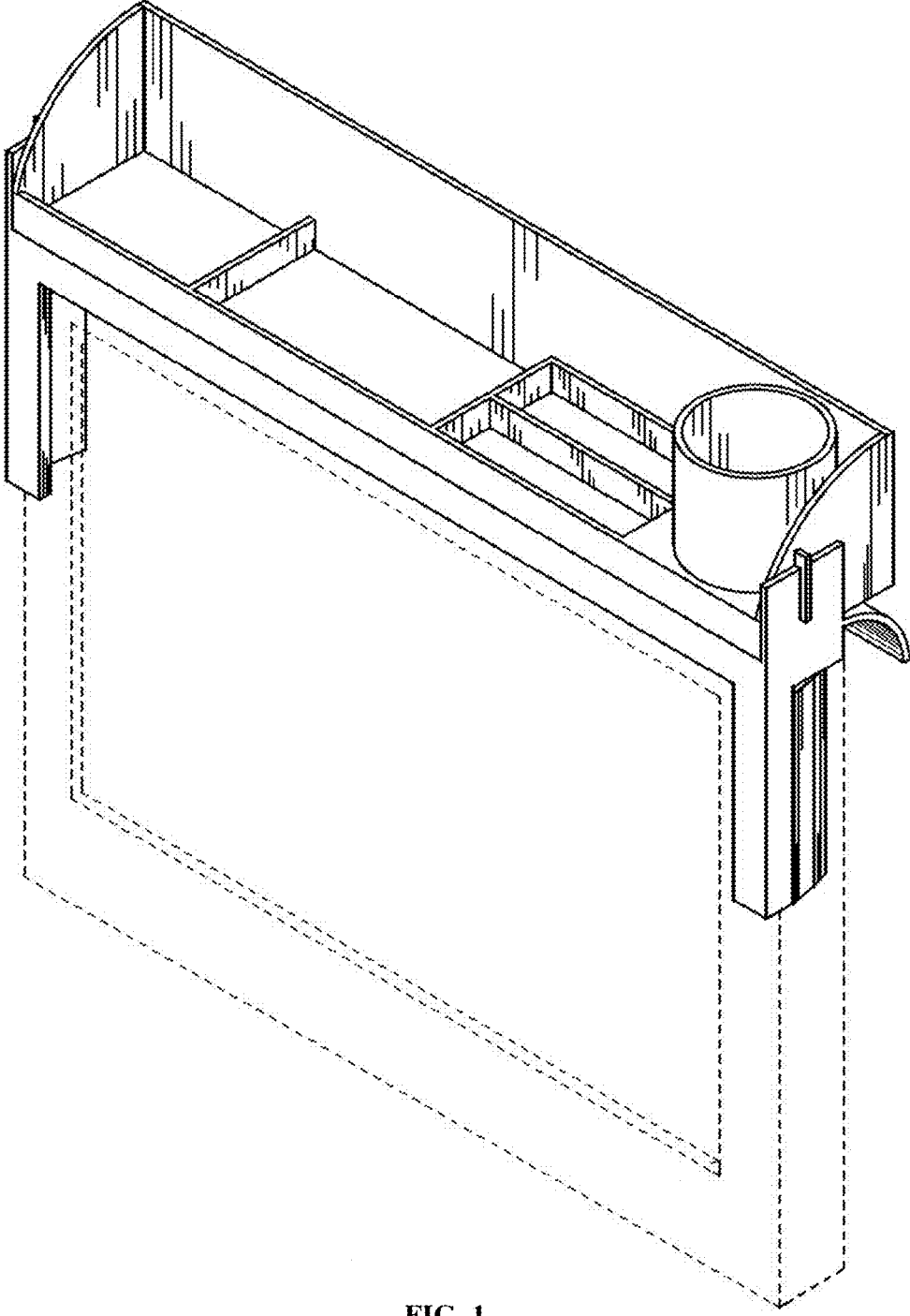


FIG. 1

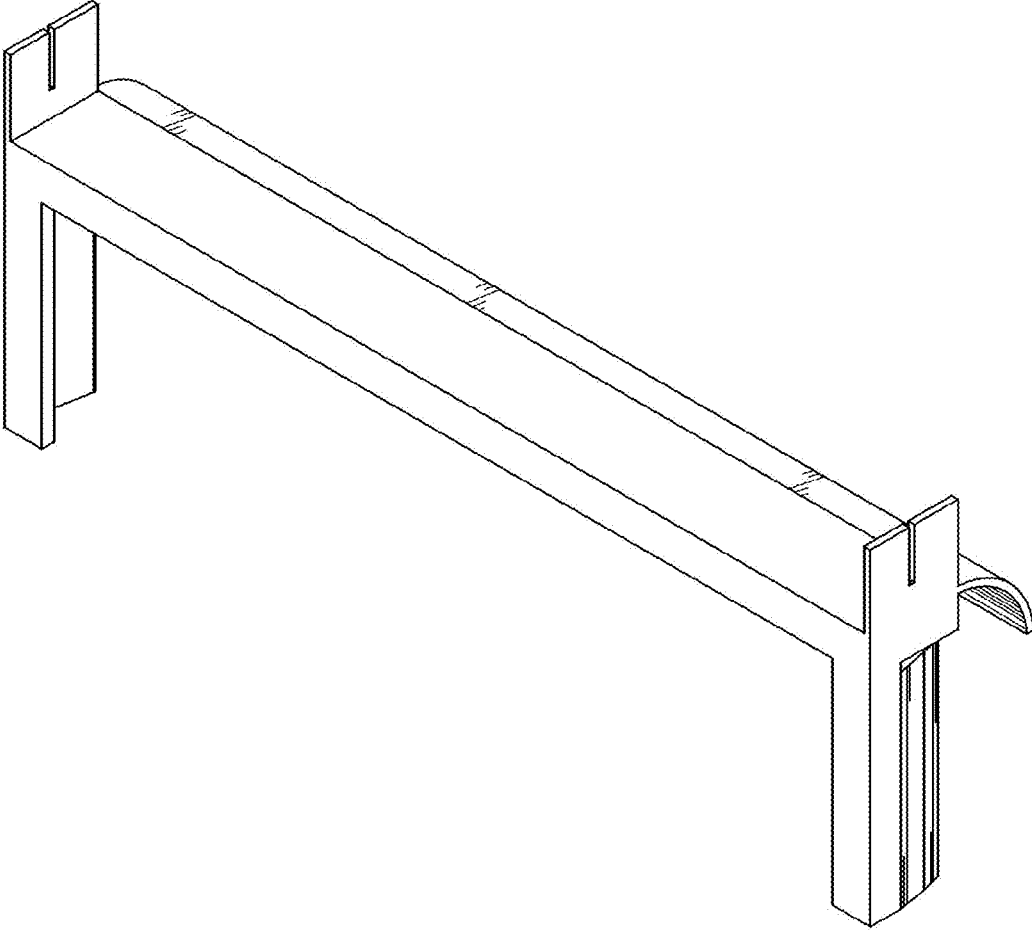


FIG. 2

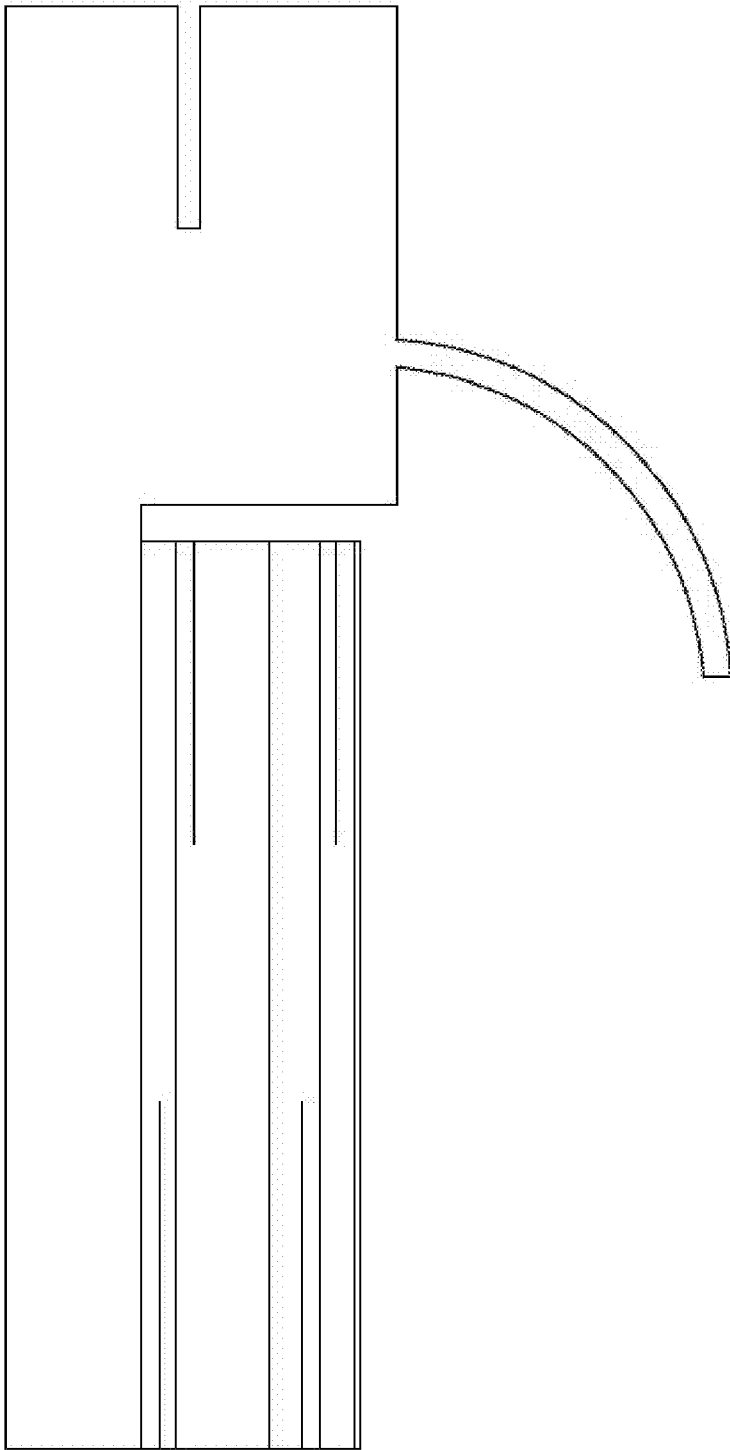


FIG. 3

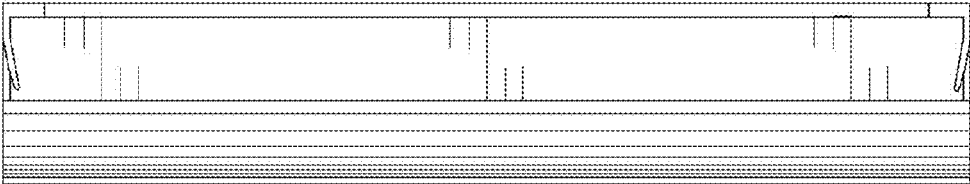


FIG. 4

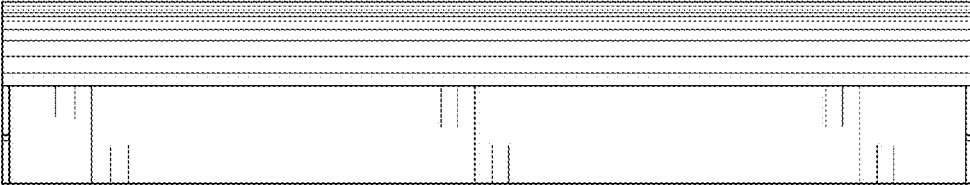


FIG. 5

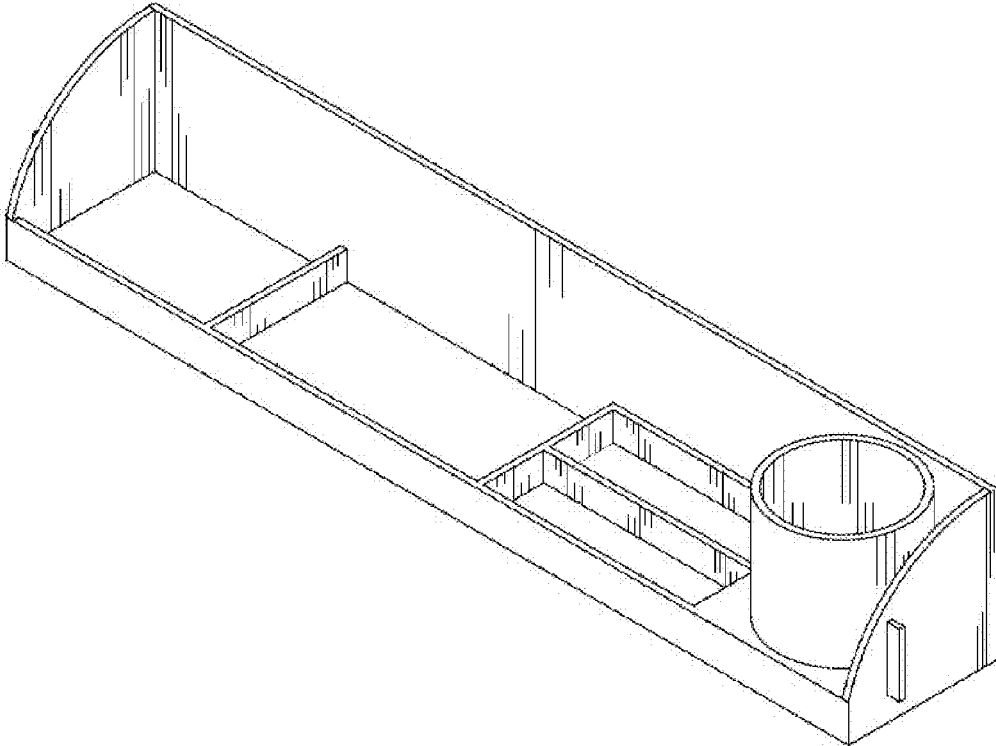


FIG. 6

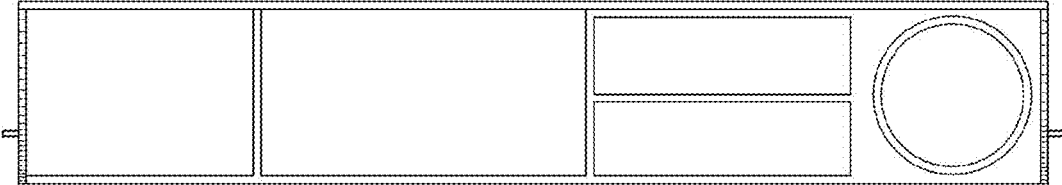


FIG. 7



FIG. 8

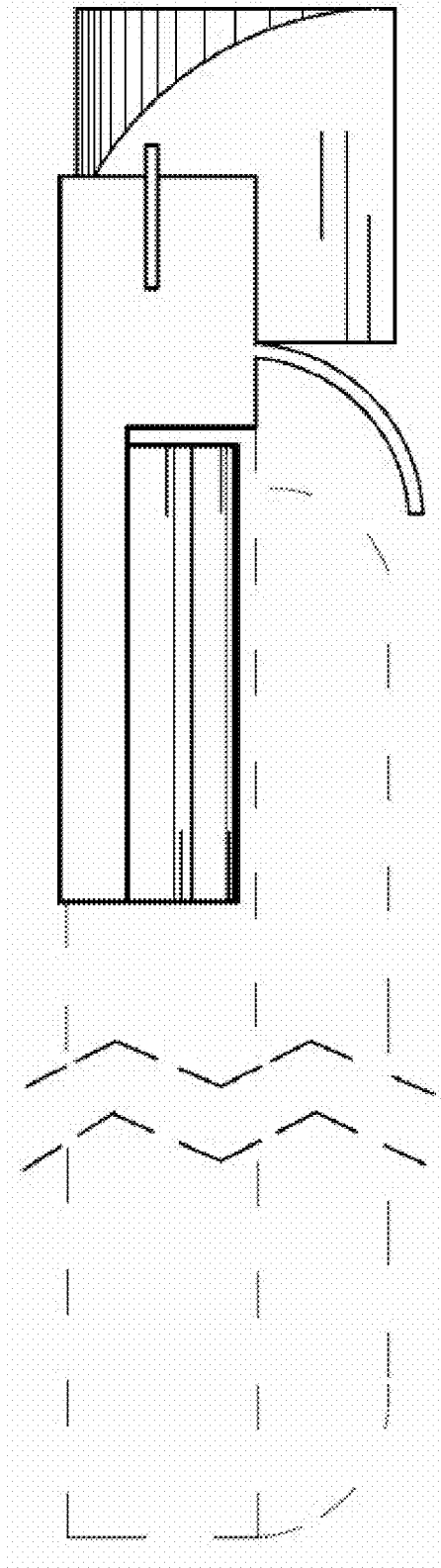


FIG. 9

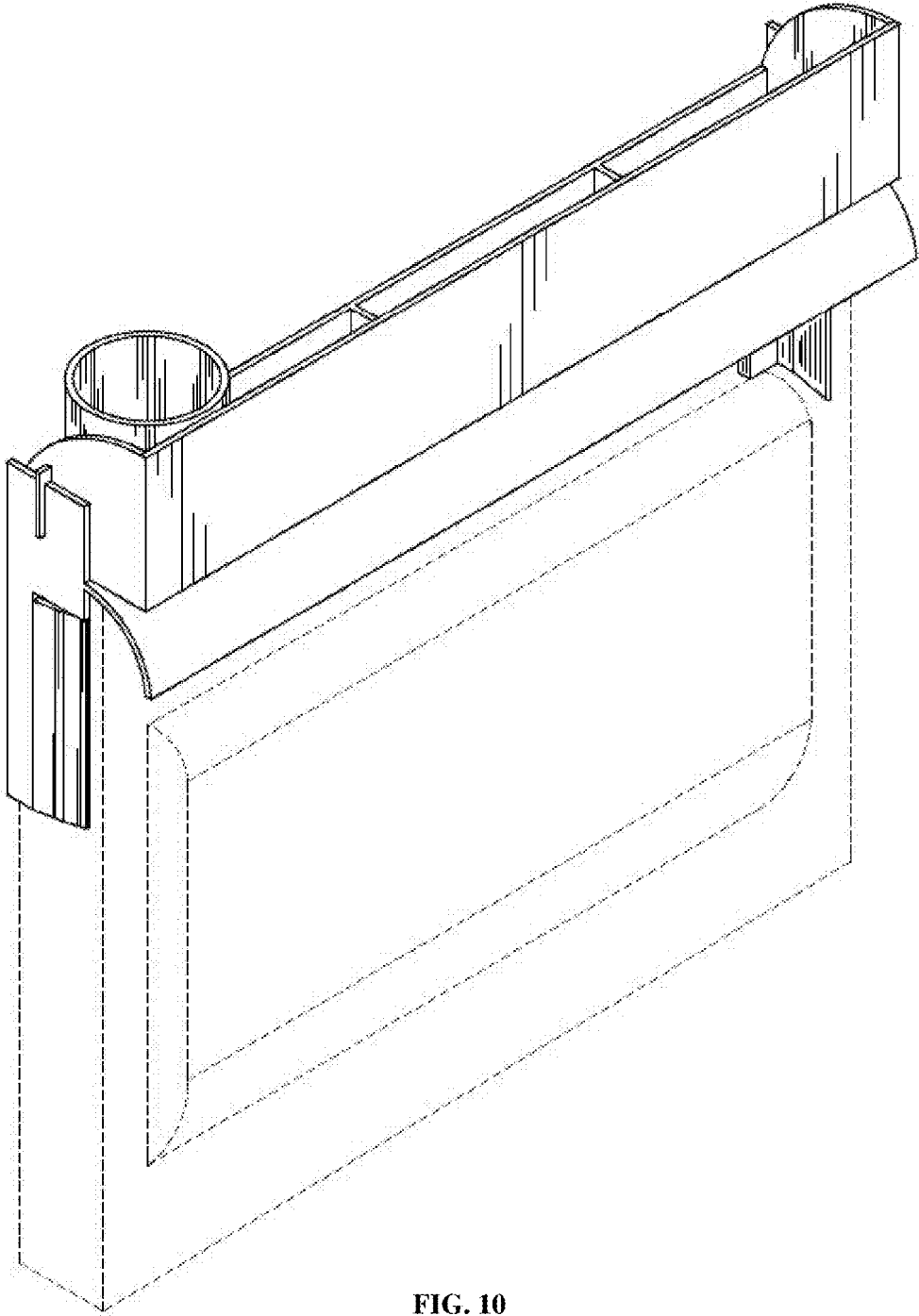


FIG. 10