



US00D654783S

(12) **United States Design Patent**
Warren

(10) **Patent No.:** **US D654,783 S**

(45) **Date of Patent:** **** Feb. 28, 2012**

(54) **ADJUSTABLE PAINTBRUSH HOOK**

7,000,783 B2 * 2/2006 Webb 211/20
7,441,729 B2 * 10/2008 Humber et al. 248/58
D608,186 S * 1/2010 Nicoll D8/367
7,658,352 B2 2/2010 Gronbach

(76) Inventor: **Ulysses Warren**, Elk Grove, CA (US)

(**) Term: **14 Years**

FOREIGN PATENT DOCUMENTS

ES 2009013367 A1 1/2009

* cited by examiner

(21) Appl. No.: **29/397,334**

(22) Filed: **Jul. 14, 2011**

Primary Examiner — Cynthia Underwood

(51) **LOC (9) Cl.** **08-05**

(74) *Attorney, Agent, or Firm* — Ash Tankha; Lipton, Weinberger & Husick

(52) **U.S. Cl.** **D8/367**

(58) **Field of Classification Search** D8/367,
D8/373, 349, 354, 71; 248/31 X, 215, 74,
248/302, 211, 214, 307, 111, 690, 213.2,
248/692; 15/174, 246, 159.1; D32/54; D22/144;
220/495.1; D6/223

(57) **CLAIM**

The ornamental design for an adjustable paintbrush hook, as shown and described.

See application file for complete search history.

DESCRIPTION

(56) **References Cited**

U.S. PATENT DOCUMENTS

1,313,515	A	8/1919	Caffrey	
1,653,374	A *	12/1927	Rossi	15/248.1
2,309,990	A	2/1943	Savi	
3,223,375	A *	12/1965	Bernasconi	410/101
5,044,038	A	9/1991	Matkovic	
5,087,014	A	2/1992	Desjardin	
5,476,240	A	12/1995	McDonough	
D384,268	S *	9/1997	Jones	D8/367
D431,337	S	9/2000	King	
6,176,455	B1 *	1/2001	Ma	248/101
6,419,194	B1 *	7/2002	LoSacco et al.	248/113
6,533,231	B1 *	3/2003	Kiviniitty	248/304

FIG. 1 is a front perspective view of a new design for an adjustable paintbrush hook;

FIG. 2 is a front orthogonal view thereof, shown in an alternative position of use with the swiveling hook swiveled towards the left;

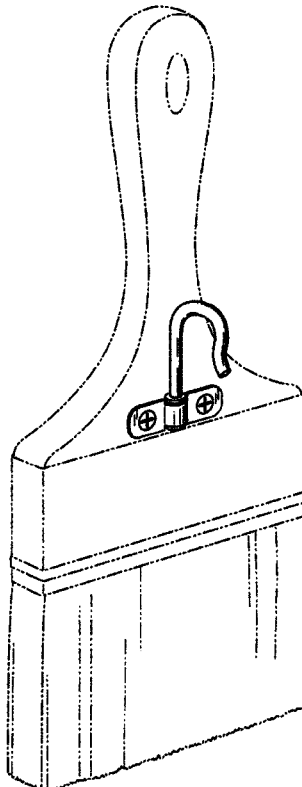
FIG. 3 is an orthogonal view thereof, shown in an alternative position of use with the swiveling hook swiveled towards the left.

FIG. 4 is a front plan view thereof; and,

FIG. 5 is an orthogonal view thereof, shown in an alternative position of use with the swiveling hook swiveled towards right.

The broken lines represent an environment of use and form no part of the claim.

1 Claim, 3 Drawing Sheets



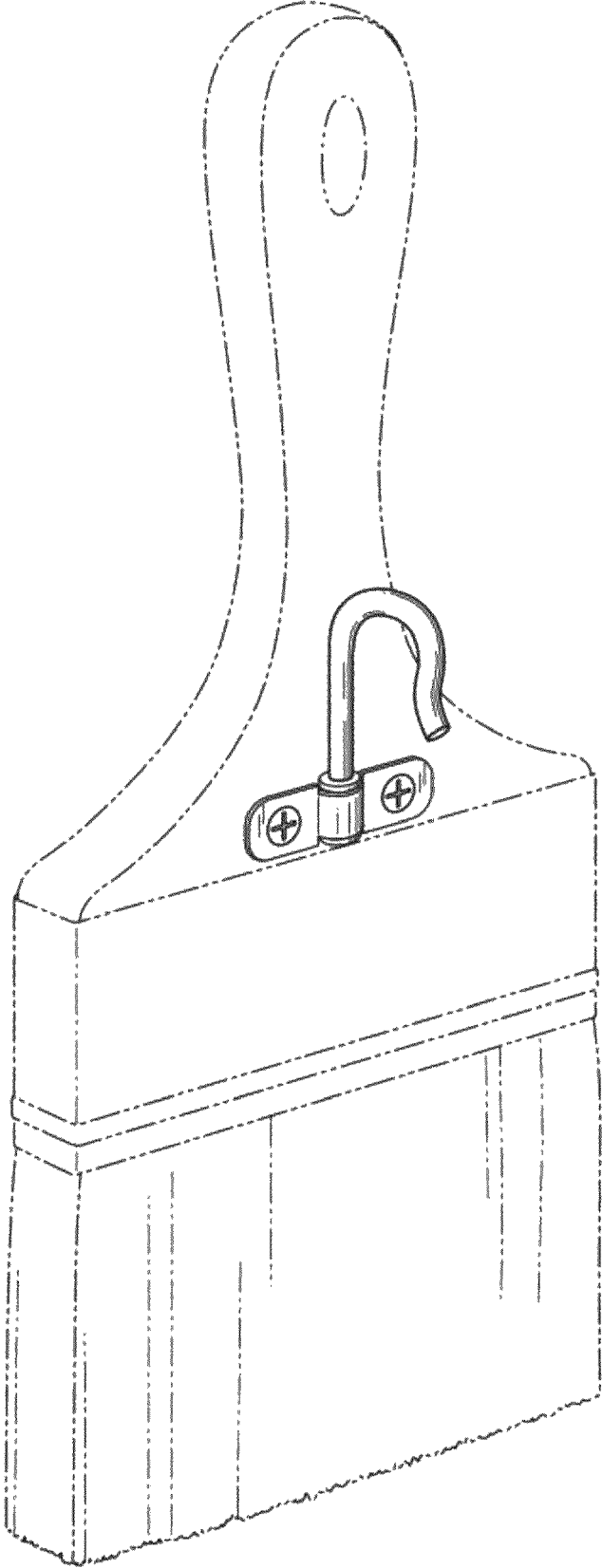


FIG. 1

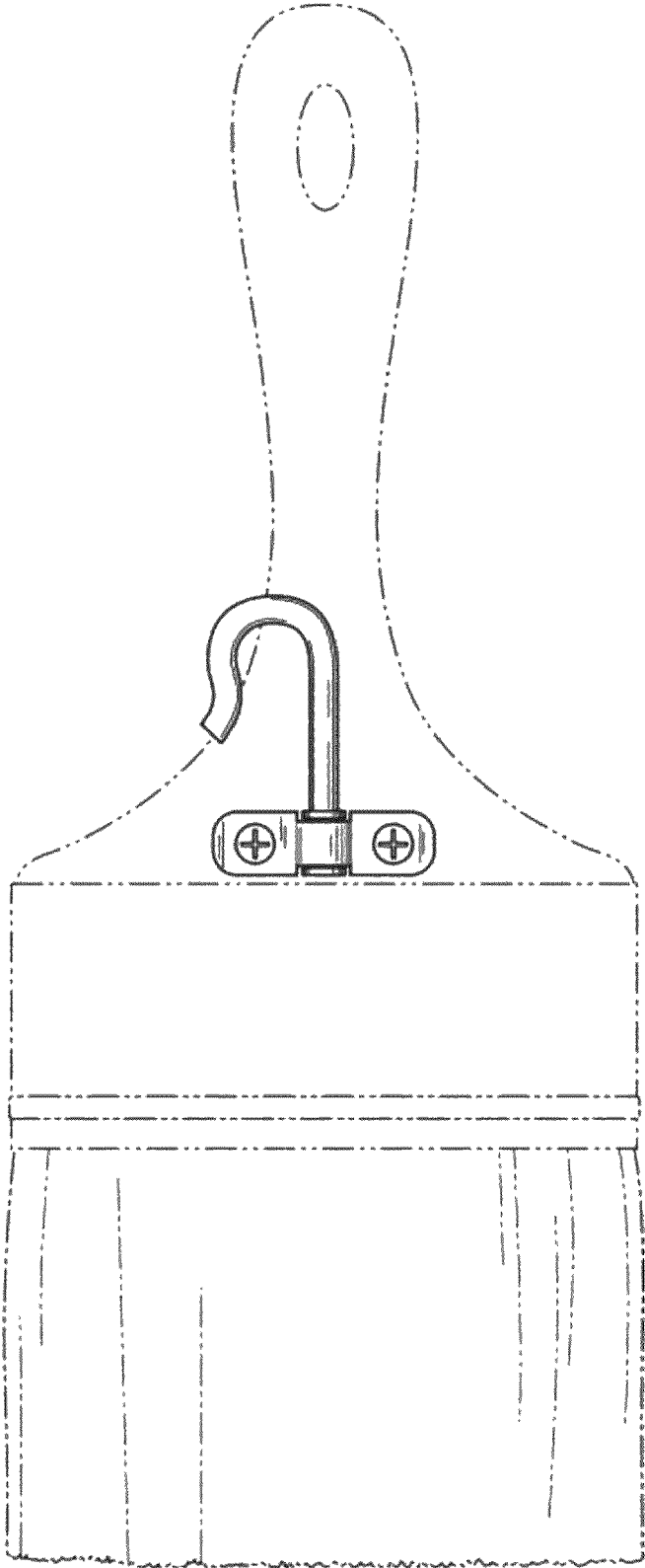


FIG. 2

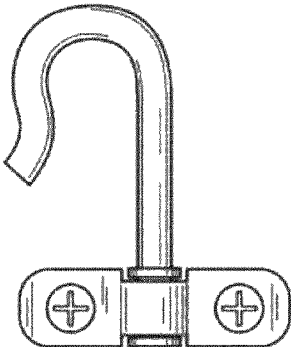


FIG. 3

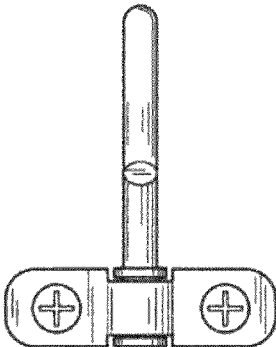


FIG. 4

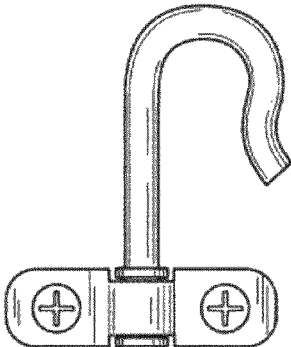


FIG. 5